

125x50x335mm

2018035003 21.8.20

nordlux®



nordlux®

**KETTLE TRIPOD 31 METAL**  
 Item N°: 2018035003  
 Db: 2079688  
 Sort/schwarz  
 Black/Svart  
 Noir/Zwart

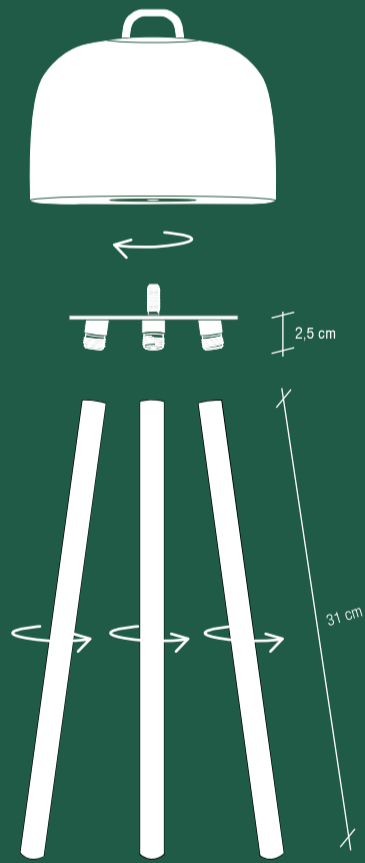
nordlux®

nordlux®

nordlux®

nordlux®

**SIMPLE TWIST MOUNTING**



[www.nordlux.com](http://www.nordlux.com)

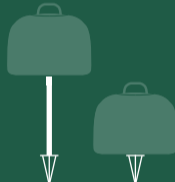
Nordlux A/S · Østre Havnegade 34 · DK-9000 Aalborg



**KETTLE 22**  
2018003003  
INCL. STRAP



**KETTLE 36**  
2018013003  
INCL. STRAP



**KETTLE SPIKE**  
METAL 2018028003



**KETTLE TRIPOD 31**  
METAL 2018035003  
OAK 2018035014



**KETTLE TRIPOD 110**  
METAL 2018044003  
OAK 2018044014

**MANY PLACEMENT OPTIONS**



KETTLE LAMP  
SOLD  
SEPARATELY



DESIGNED FOR  
OUTDOOR USE

KETTLE TRIPOD 31 METAL

TAKE ME ANYWHERE  
PATENTED DANISH DESIGN

Height x Width x Depth COLOR BOX (CM)	NET WEIGHT COLOR BOX (KG)
33.5x12.5x5	0.095
GROSS WEIGHT COLOR BOX (KG)	VOLUME COLOR BOX (CBM)
0.875	0.002

AAD: 04082021XY

Nordlux UK  
Unit 22, Deanfield Court  
BB7 1QS Clitheroe Lancashire  
01200422777