



# GLOSSY

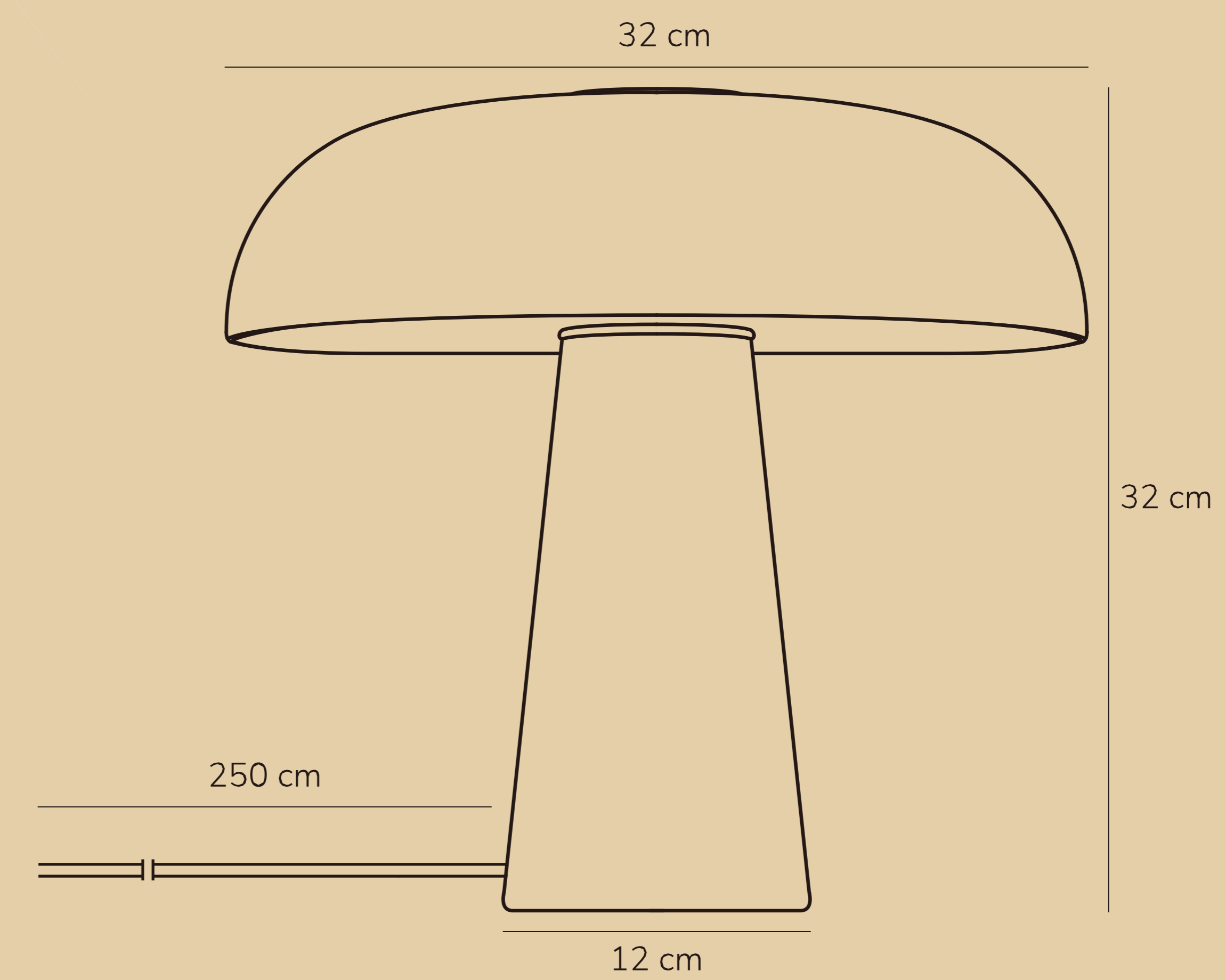
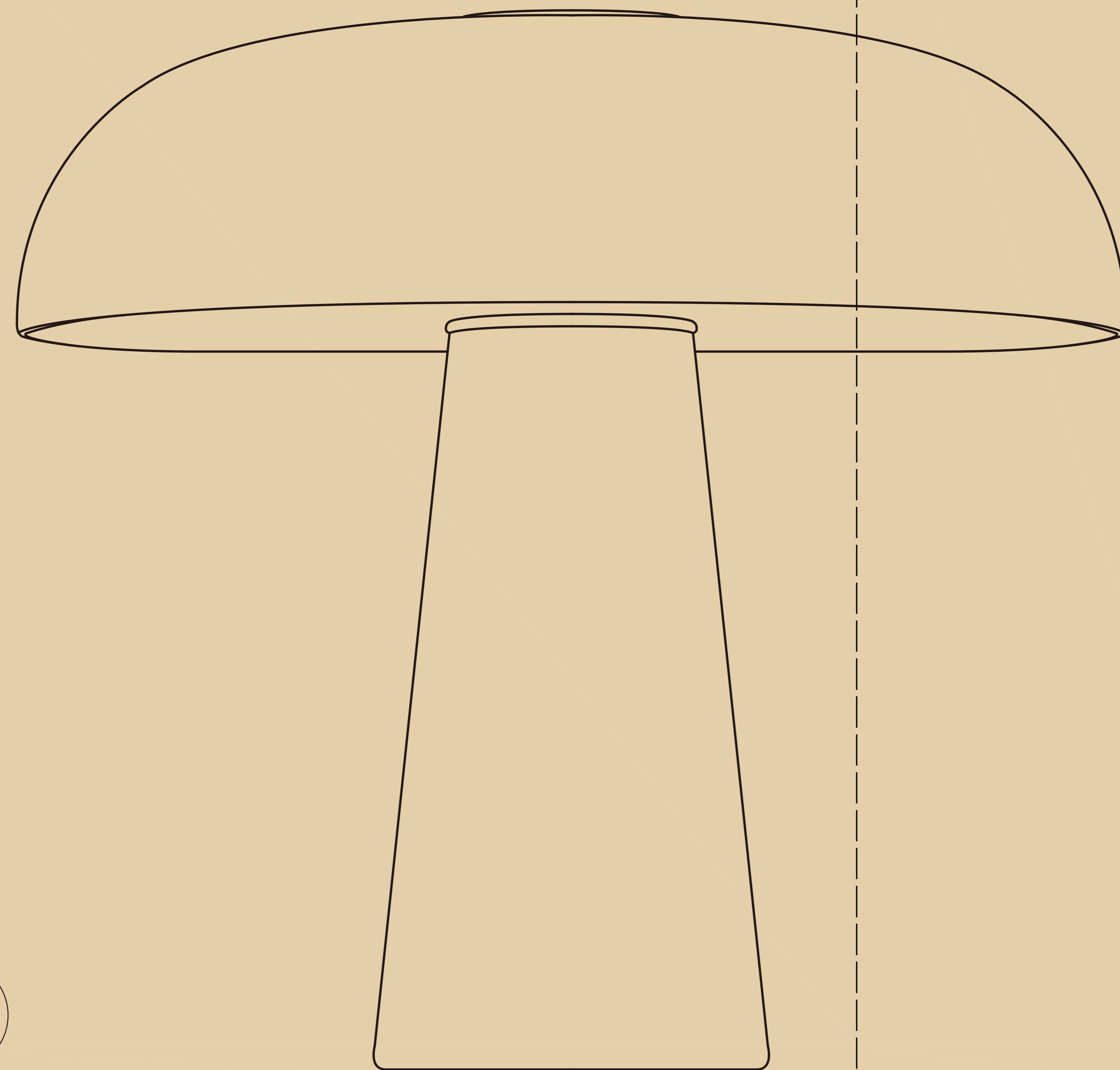
by Maria Berntsen

# GLOSSY

by Maria Berntsen

# GLOSSY

by Maria Berntsen



With her own design studio in Copenhagen, Maria Berntsen has since 1992 focused on architecture and design. Maria Berntsen is a well-established name in the design industry and has over the years collaborated with a wide range of Danish and international companies, where her extensive experience has resulted in many successful designs.

"At the start of a new project, I look for an idea with nerve, functionality and identity. By modelling and visualizing, I test the idea, how it might be used, and its presence.

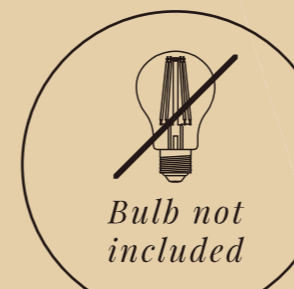
Good design communicates and establishes a dialogue with the receiver. Design is not just about functionality – it is as much about the emotional connection and impact. To me, success is when my design brings joy in the everyday lives of people".

*Maria Berntsen*

Maria Berntsen



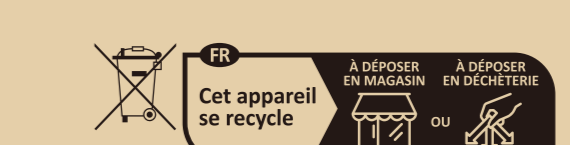
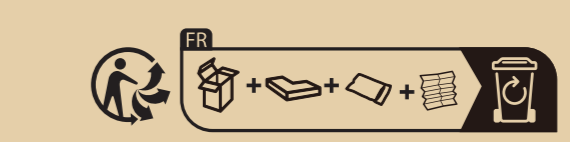
AAD:24052021 XY  
Nordlux UK  
Unit 22, Deanfield Court  
BB7 1QS Clitheroe Lancashire  
01200422777



## GLOSSY

by Maria Berntsen

- Item number** 2020505001
- Color** White
- Material** Marble/Opal glass/Brass
- IP Class** IP20, Class II
- Voltage** 220-240V~50/60Hz
- Cable** Textile cable: White 250 cm non replaceable
- Switch** On the cable
- Light source** E27, Max, 20W, Excl. light source



www.dftglobal.com

Barcode and product ID



5 704924 001024

GROUP 1 (MAIN + SHIP) COLOR BOX (20)	NET WEIGHT COLOR BOX (20)
56x39,5x16,0	0,40
GROUP 2 (MAIN + SHIP) COLOR BOX (20)	NET WEIGHT COLOR BOX (20)
5,98	0,35