



# GLOSSY

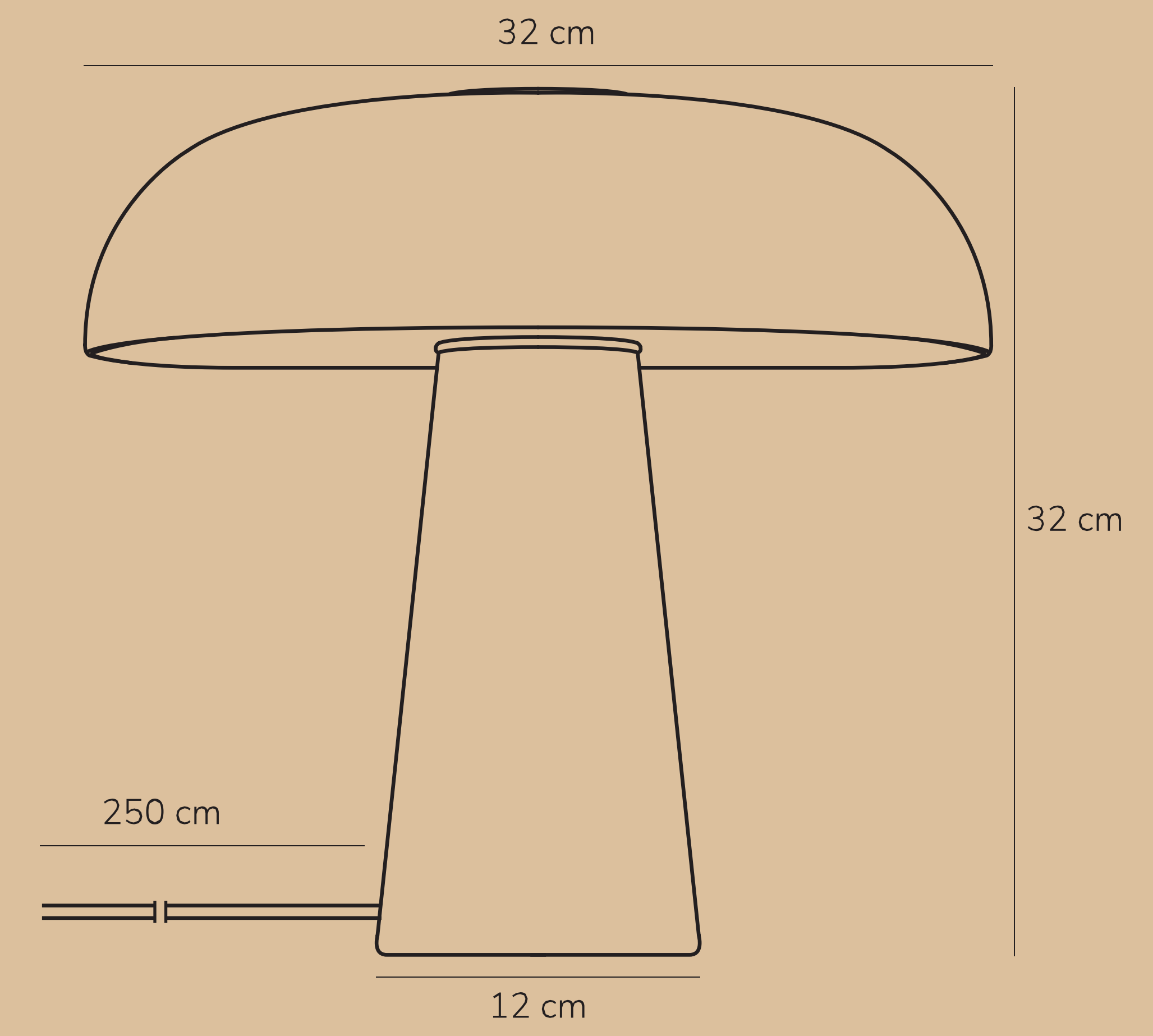
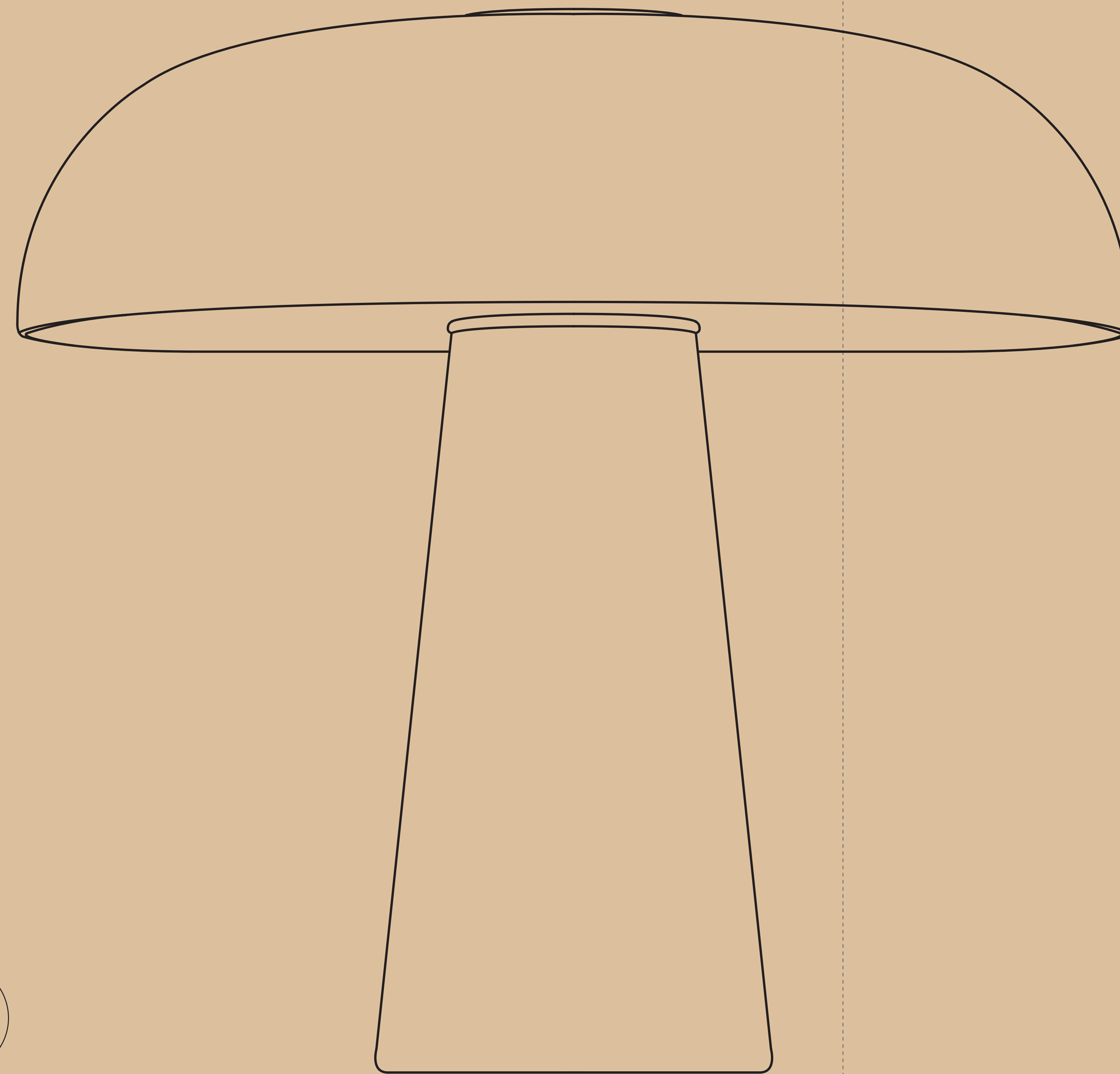
by Maria Berntsen

# GLOSSY

by Maria Berntsen

# GLOSSY

by Maria Berntsen

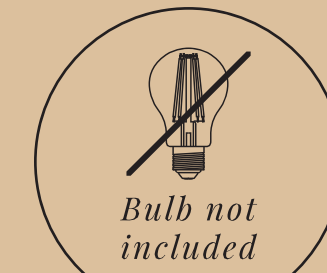


With her own design studio in Copenhagen, Maria Berntsen has since 1992 focused on architecture and design. Maria Berntsen is a well-established name in the design industry and has over the years collaborated with a wide range of Danish and international companies, where her extensive experience has resulted in many successful designs.

"At the start of a new project, I look for an idea with nerve, functionality and identity. By modelling and visualizing, I test the idea, how it might be used, and its presence.

Good design communicates and establishes a dialogue with the receiver. Design is not just about functionality – it is as much about the emotional connection and impact. To me, success is when my design brings joy in the everyday lives of people".

Maria Berntsen



## GLOSSY

by Maria Berntsen

- Item number: 2020505010
- Color: Grey
- Material: Marble/Opal glass/Brushed steel
- IP Class: IP20, Class II
- Voltage: 220-240V-50/60Hz
- Cable: Textile cable: White 250 cm non replaceable
- Switch: On the cable
- Light source: E27, Max. 20W, Excl. light source



www.dfnglobal.com

Under EU's strict RoHS and REACH regulations



5 704924 009358

AAD:24052021 XY  
NordLux UK  
Unit 22, Deanfield Court  
BB7 1QS Clitheroe, Lancashire  
01200422777

NET WEIGHT (COLOR BOX ONLY)	0.40
NET WEIGHT (COLOR BOX ONLY)	0.35