

## NEXUS 2.0

by Bonnelycke mdd

Bonnelycke mdd was established in 1988. Driven by a nosurpressable urge and desire to work constructively and innovatively, Bonnelycke mdd started his career with the design of lamps, furniture and interior decorating. Quickly, he became known as an unconventional architect with no whims and fancies.

His ability to challenge and optimize the manufacturing process itself is to be found in Henrik's original professional background as a toolmaker. "It could be fun" and "of course it can be done" – are phrases often used in his company.

From day one, the core of his work has been to create products simply because they are needed. Designs by Bonnelycke mdd grow out of a specific need or requirement expressed by the customer – and by the general public as such. This has resulted in a comprehensive portfolio of projects and designs allowing the company to slowly but steadily expand over the years.

Bonnelycke mdd

## NEXUS 2.0

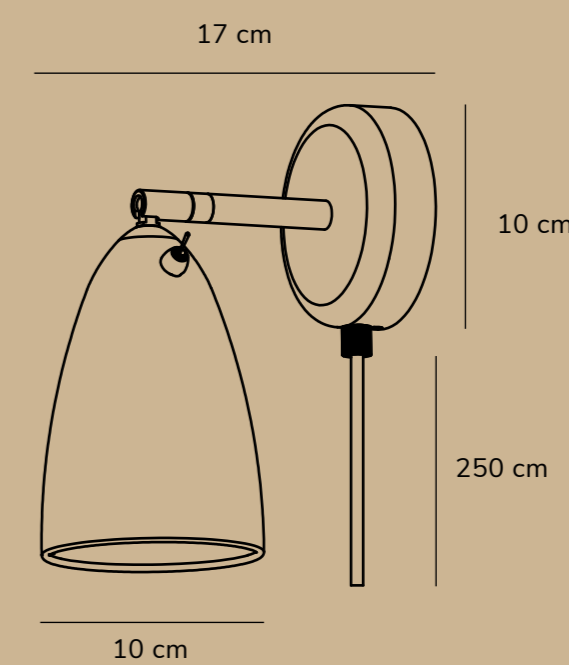
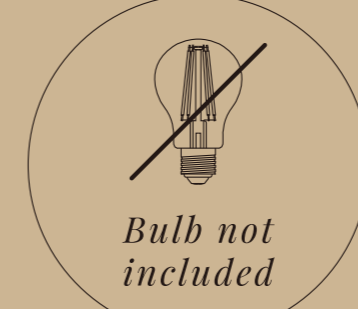
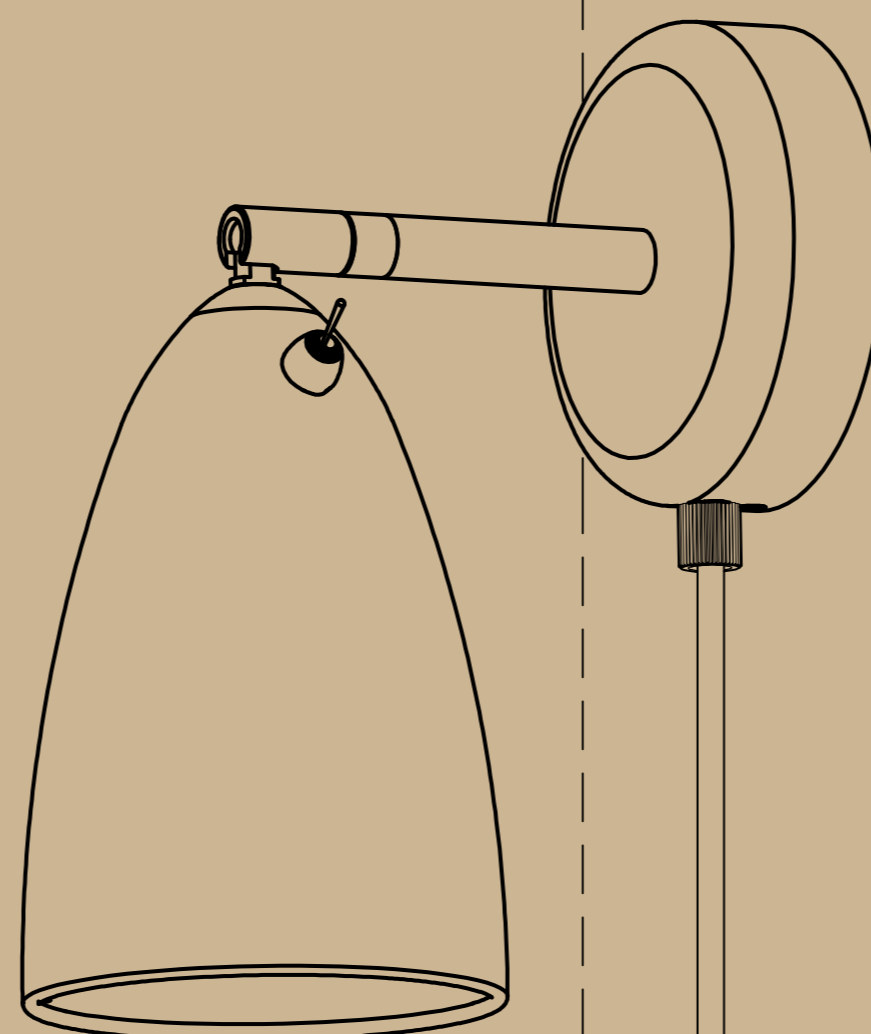
by Bonnelycke mdd



Nordlux UK  
Unit 22, Deanfield Court  
BB7 1QS Clitheroe Lancashire  
01200422777  
AAD: 01122023 BL

## NEXUS 2.0

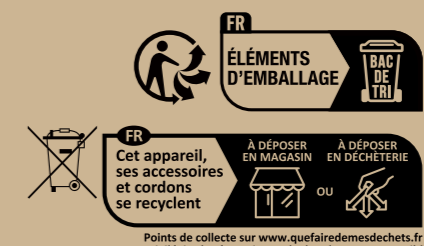
by Bonnelycke mdd



## NEXUS 2.0

by Bonnelycke mdd

Item number 2020601003  
Color Black  
Material Metal  
IP Class IP20-for indoor use, Class II  
Voltage 220-240V - 50/60Hz  
Cable PVC cable: Black 250cm replaceable  
Switch On the fixture  
Light source GU10,Max,LED 6W Excl.light source



www.dftglobal.com



WELSH	UK
WELSH	UK
WELSH	UK
WELSH	UK