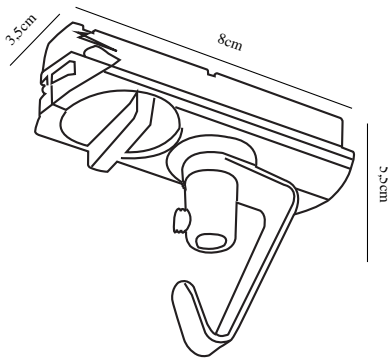


LINK SYSTEM | RAIL SYSTEMS | MAT WHITE

2110589901

nordlux®



Voltage (V): 230 Volt

Length (cm): 180

Net weight of the luminaire (kg):
0.766

Color: Mat white

EAN: 5704924007187

TUN: 2160523

Height (cm): 1.8

Item Number: 2110589901

Width (cm): 3.5

Pcs Per Master Carton: 3

Sales Box Height (cm): 212

Sales Box Width (cm): 2.3

Sales Box Depth (cm): 4.2

Sales Box Volume m³ : 0.002

• **Adaptor included**

Pendant bracket for Link track system from Nordlux.