

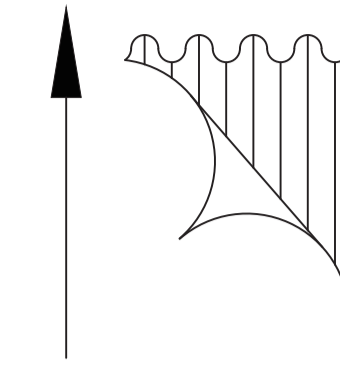
产品型号: T00590-BK/T00590-WH/T00590-GY (2120095003/2120095001/2120095010) 内盒刀模图

纸板材质: K6K, 不许打钉

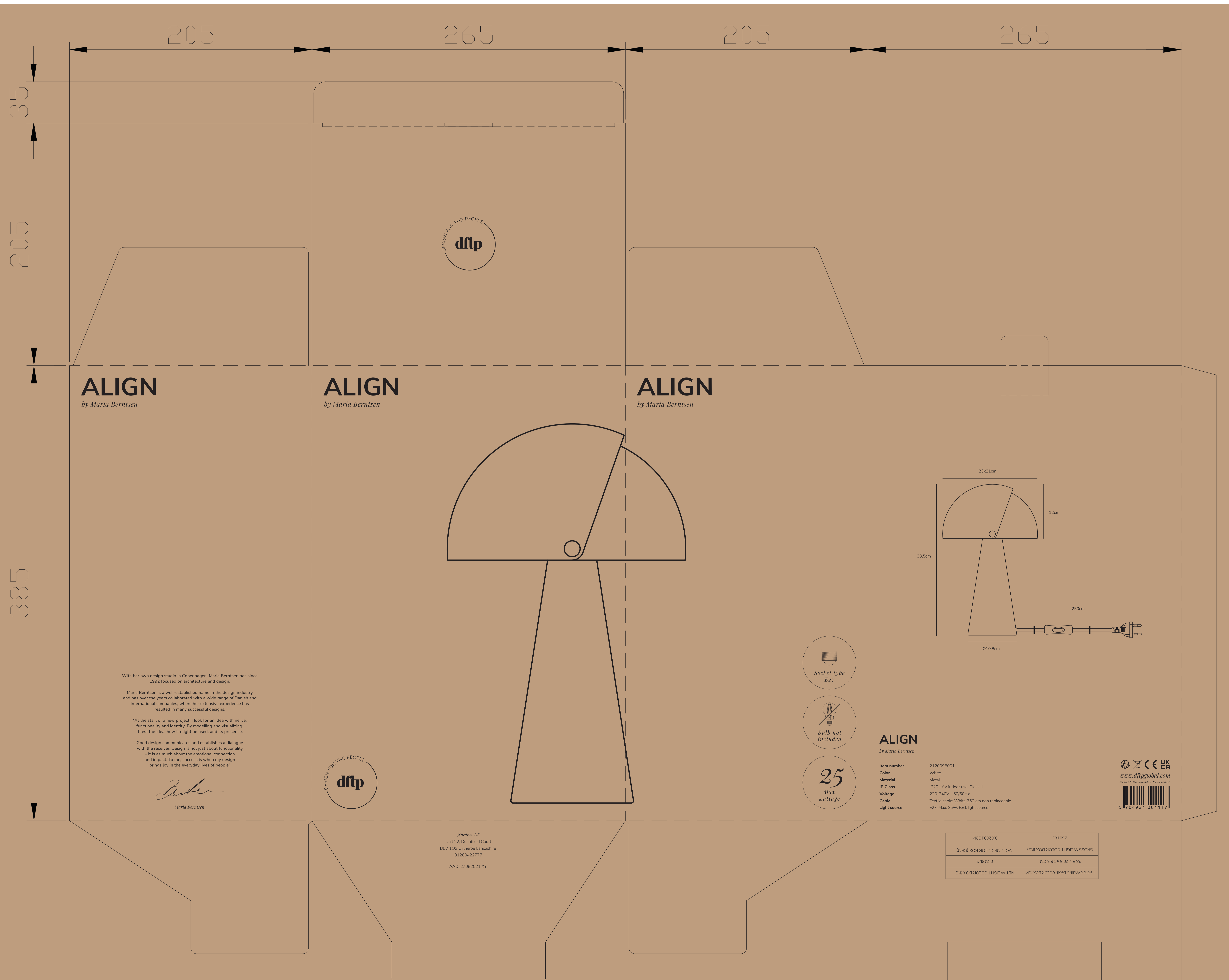
尺寸: 265x205x385mm

日期: 2021-08-11

坑纹



切线



ALIGN
by Maria Berntsen

ALIGN
by Maria Berntsen

ALIGN
by Maria Berntsen

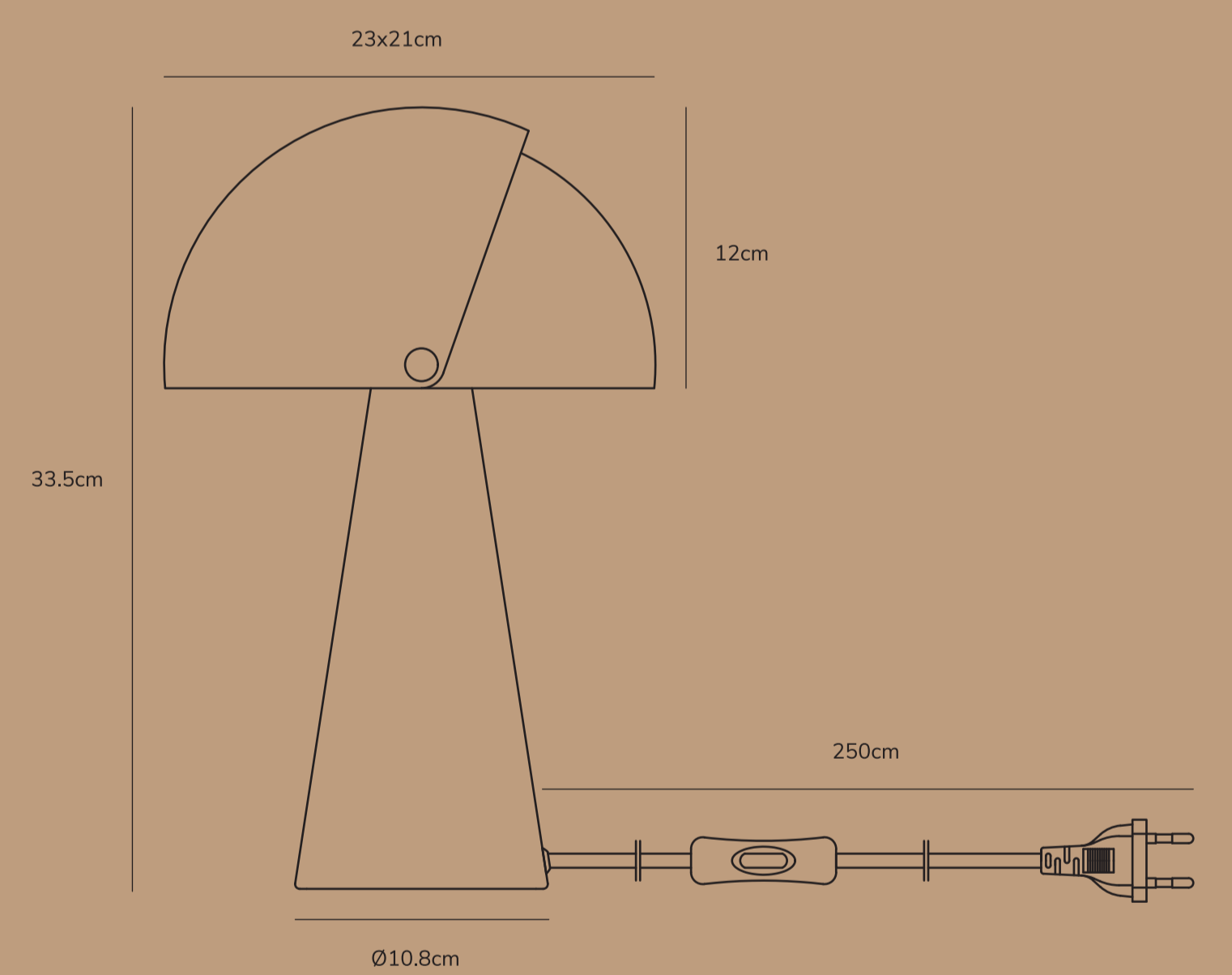
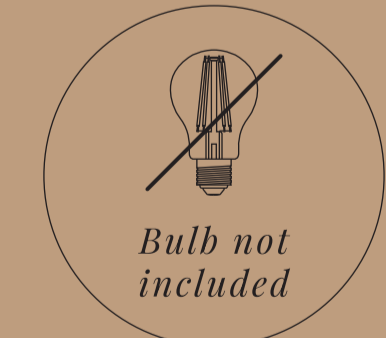
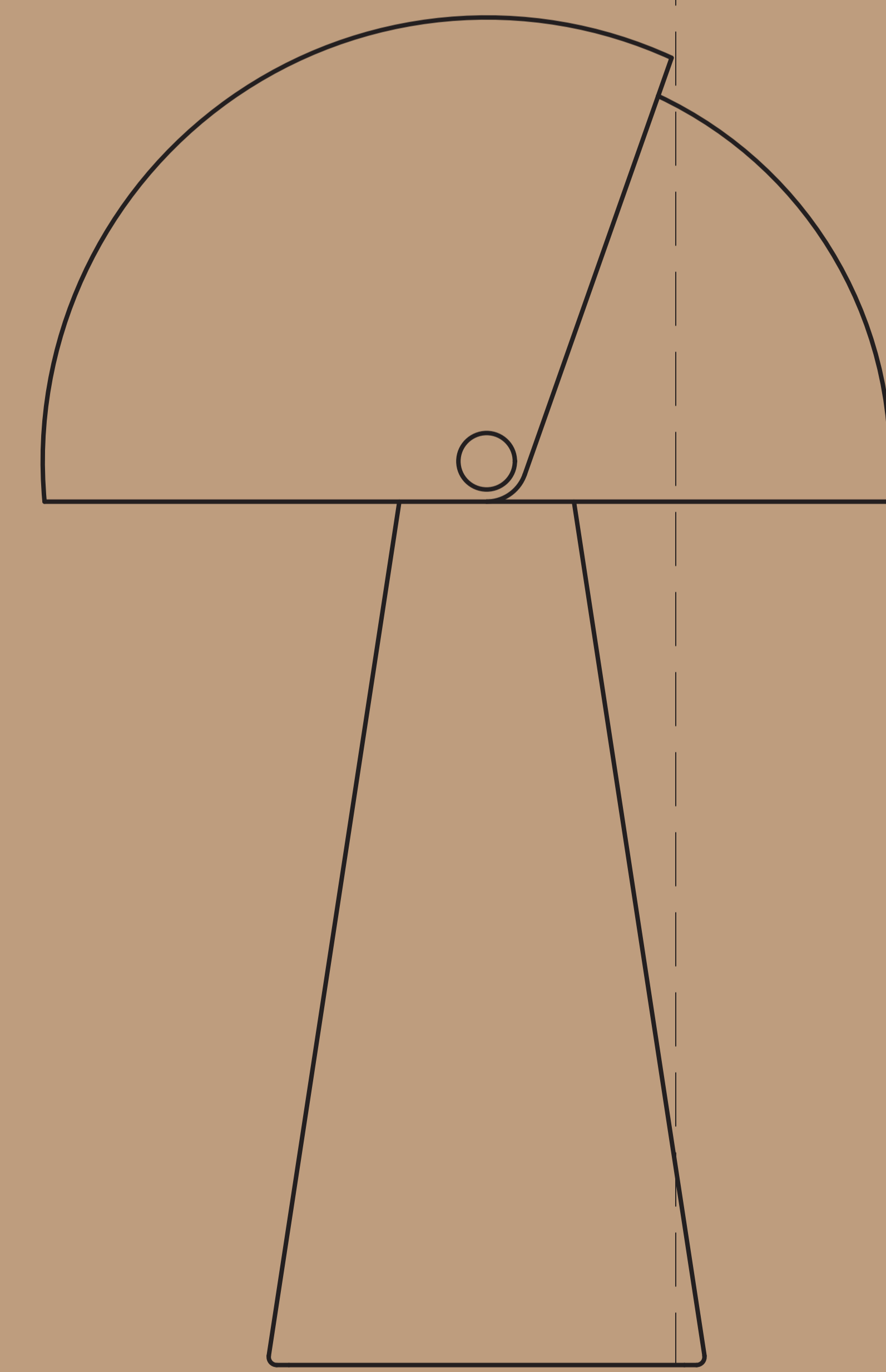
With her own design studio in Copenhagen, Maria Berntsen has since 1992 focused on architecture and design.

Maria Berntsen is a well-established name in the design industry and has over the years collaborated with a wide range of Danish and international companies, where her extensive experience has resulted in many successful designs.

"At the start of a new project, I look for an idea with nerve, functionality and identity. By modelling and visualizing, I test the idea, how it might be used, and its presence.

Good design communicates and establishes a dialogue with the receiver. Design is not just about functionality – it is as much about the emotional connection and impact. To me, success is when my design brings joy in the everyday lives of people!"

Maria Berntsen
Maria Berntsen



ALIGN
by Maria Berntsen

Item number 2120095001
Color White
Material Metal
IP Class IP20 - for indoor use, Class II
Voltage 220-240V - 50/60Hz
Cable Textile cable: White 250 cm non replaceable
Light source E27, Max. 25W, Extd. light source



www.dfglobal.com



Andflex UK
Unit 22, Dearfield Court
BB7 1QS Clitheroe Lancashire
01200422777
AAD: 27082021.XY

0.02091CBM	2.881KG
GROSS WEIGHT COLOR BOX (KG)	VOLUME COLOR BOX (CBM)
38.5 x 20.5 x 38.5 CM	0.248KG
NET WEIGHT COLOR BOX (KG)	Height x Width x Depth COLOR BOX (CM)