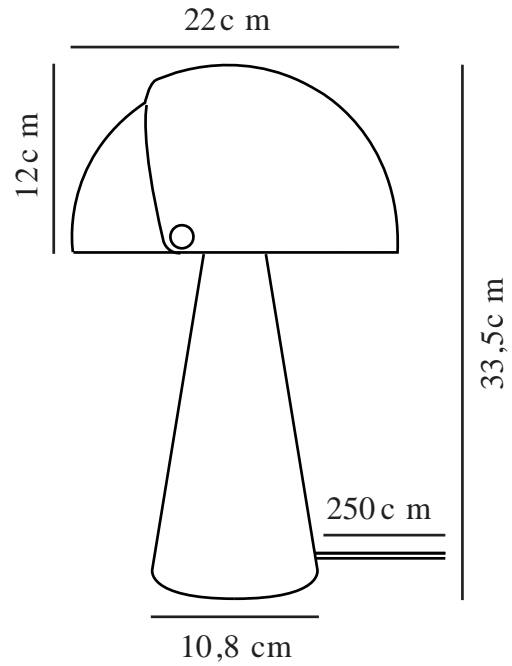


# ALIGN | TABLE LAMP | BROWN

2120095018



Voltage (V): 220-240 Volt  
IP degree: IP20  
Maximum bulb wattage (W): 25W  
Class (Class 1, Class 2, Class 3):  
Class 2 (Double isolated)  
Socket type: E27  
Switch placement: On the cable

Primary material: Metal  
Secondary material: Plastic  
Colour of the cable: Black  
Length of the cable (cm): 250  
Surface material of the cable:  
Textile  
Is the cable replaceable: False  
Colour: Brown

Height (cm): 33.5  
Width (cm): 23  
Shade Diameter (cm): 22  
Shade Height (cm): 12  
Outdoor base dimension (cm):  
10.8  
Length (cm): 23  
Tilt Angle (°): 340

EAN: 5704924013676  
Item Number: 2120095018

Pcs Per Master Carton: 3  
Sales Box Height (cm): 38.5  
Sales Box Width(cm): 21  
Sales Box Depth (cm): 26.5  
Sales Box Volume m<sup>3</sup> : 0.0214  
Product net weight (kg): 2

- Satin soft, matt surface • Beautiful brass details
- Movable shade for a playful look and changeable light

Align is a series of contemporary and elegant table lamps by Danish designer Maria Berntsen that encourage interaction and curiosity. The inner shade of the lamp is static, while the outer shade can easily be moved for a changeable light that fits any need. The design language is simple, yet playful with a satin soft, matt surface and beautiful brushed brass details.