

340\*135\*827mm



# NOBU

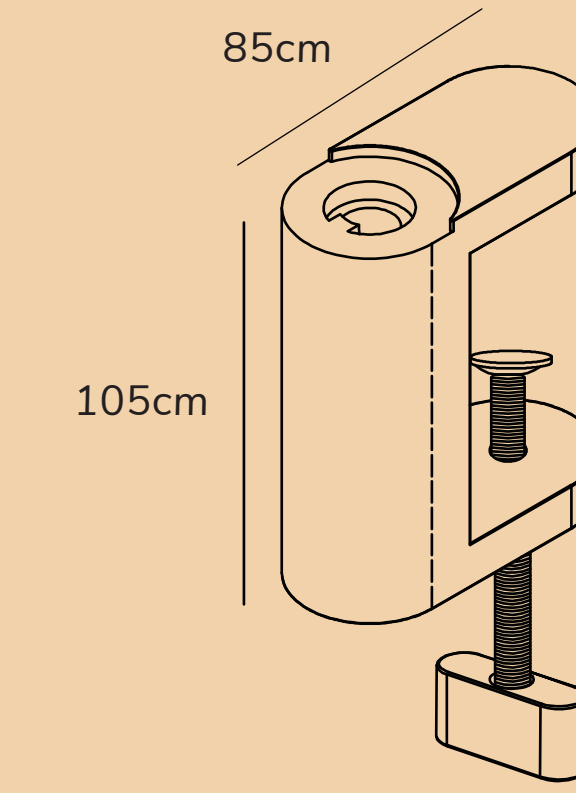
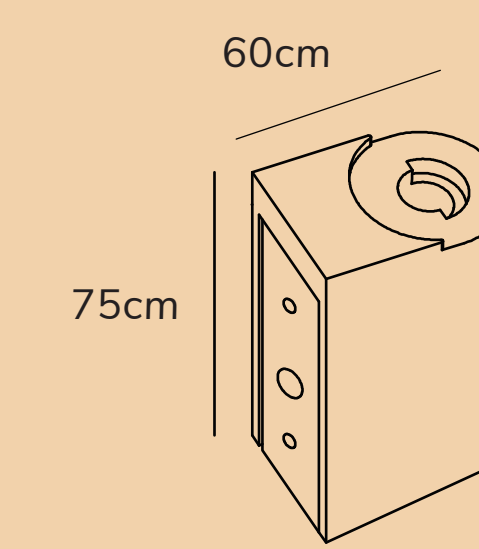
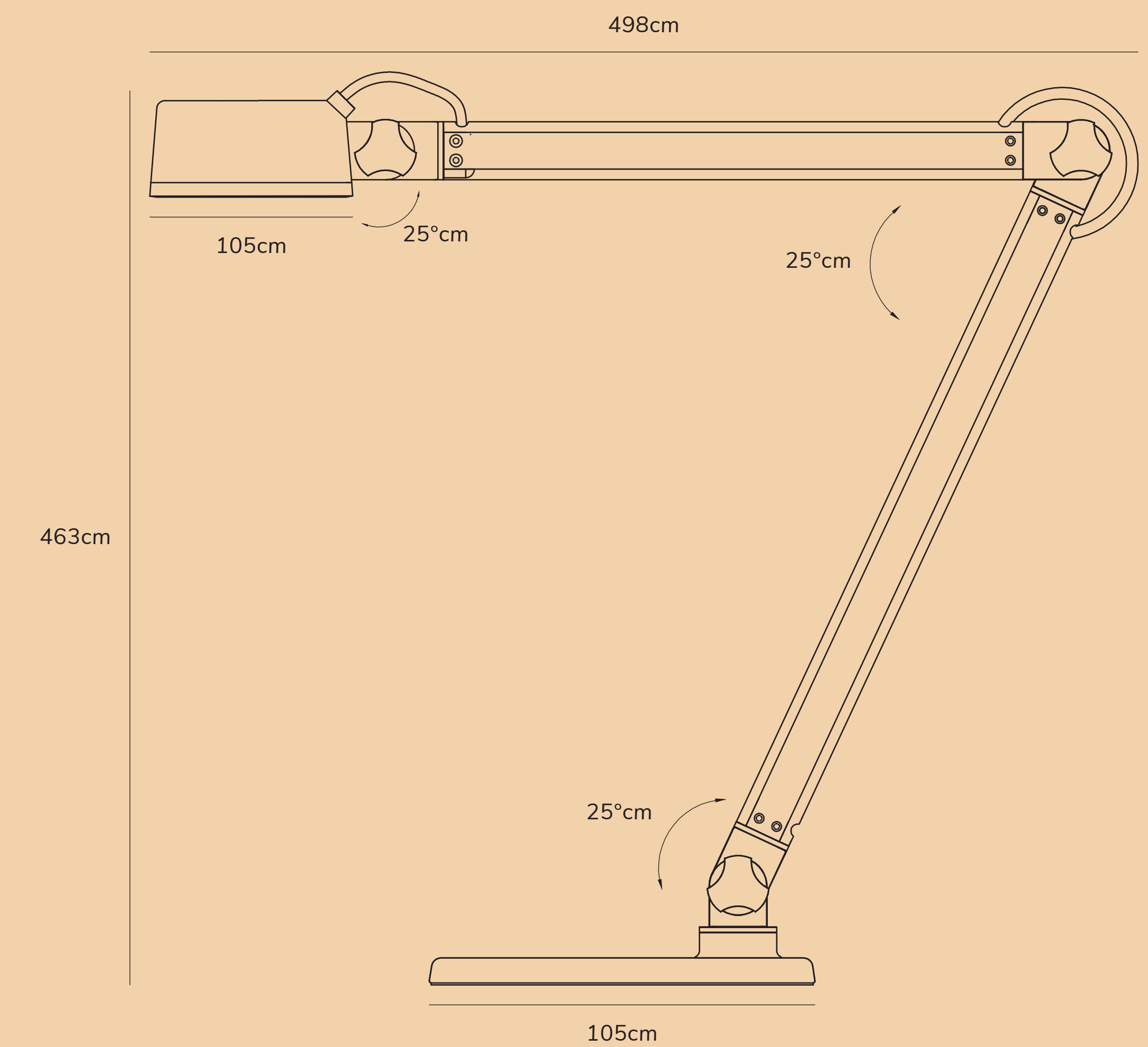
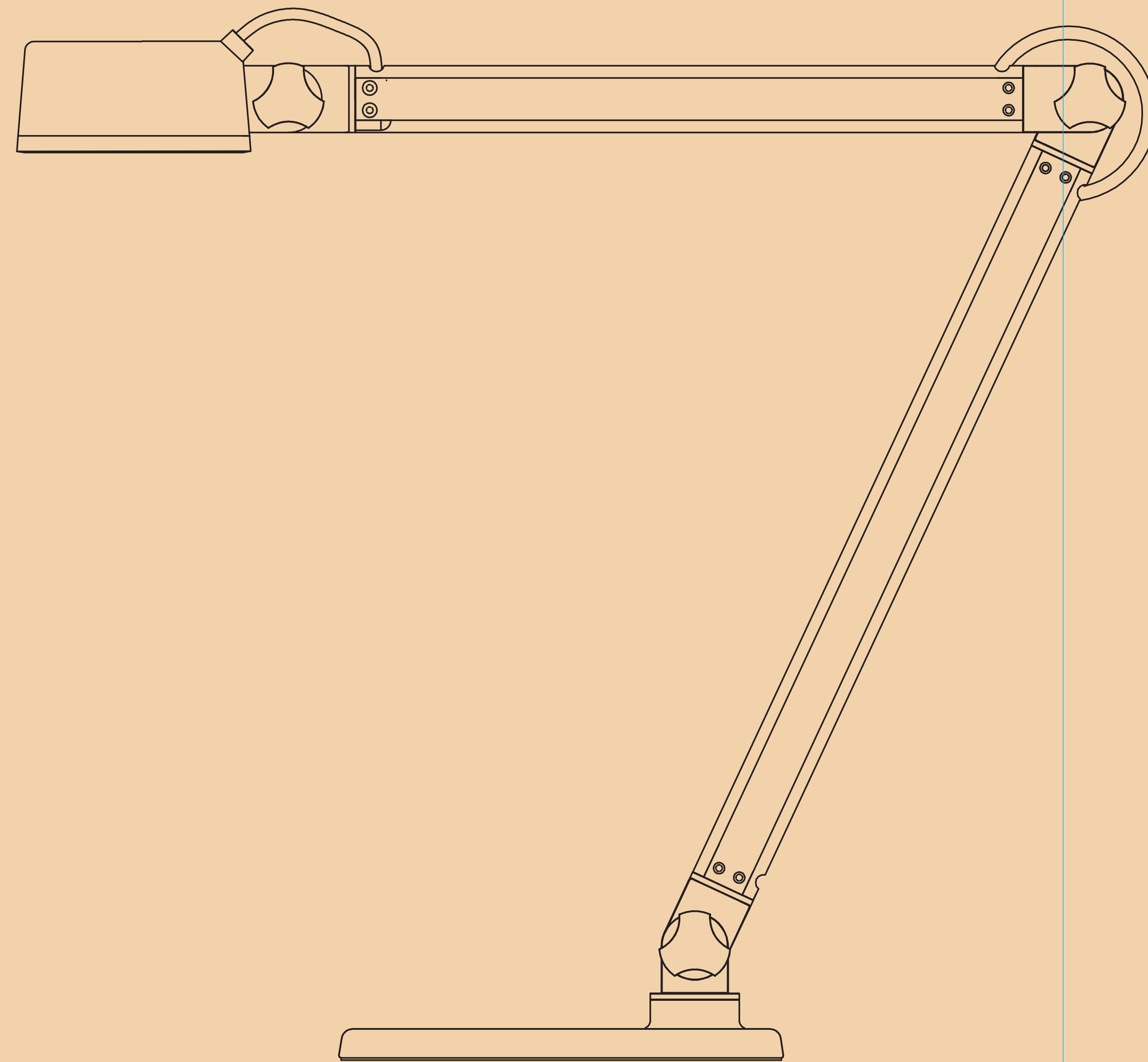
by *Bonneleycke mdd*

# NOBU

by *Bonneleycke mdd*

# NOBU

by *Bonneleycke mdd*



Bonneleycke mdd was established in 1988. Driven by a non-repressible urge and desire to work constructively and innovatively, Bonneleycke mdd started his career with the design of lamps, furniture and interior decorating. Quickly, he became known as an unconventional architect with no whims and fancies.

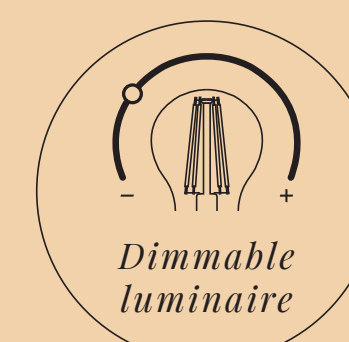
His ability to challenge and optimize the manufacturing process itself is to be found in Henrik's original professional background as a toolmaker. "It could be fun" and "of course it can be done" – are phrases often used in his company.

From day one, the core of his work has been to create products simply because they are needed. Designs by Bonneleycke mdd grow out of a specific need or requirement expressed by the customer – and by the general public as such. This has resulted in a comprehensive portfolio of projects and designs allowing the company to slowly but steadily expand over the years.

Bonneleycke mdd



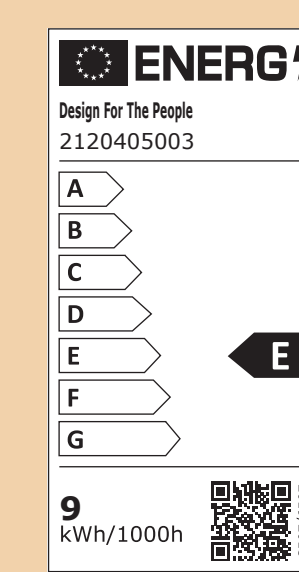
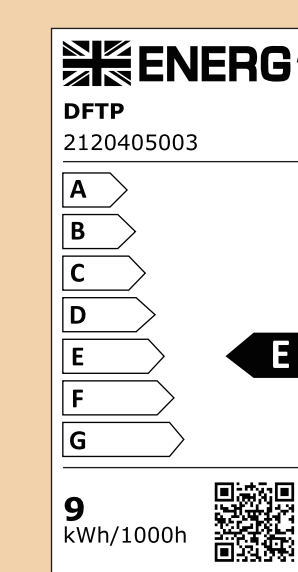
9W 220-240~50/60Hz 1190lm 360°



# NOBU

by *Bonneleycke mdd*

Item number 2120405003  
 Color Black  
 Material Metal  
 IP class IP20, indoor use only, class II  
 Input voltage 220-240~50/60Hz  
 Whole lamp lumen 533lm  
 Light source lumen 1190lm (360°)  
 Kelvin 2700K warm white  
 Colour rendering RA90  
 Life hours 30000 hrs  
 Cable Switch Black textile cable, 250cm non replaceable



NOBU 1 x 1  
 100 x 20, 200mm x 200mm  
 007 102 0000000000000  
 0120405003

AGD19112021 00

Height x Width x Depth (COLOR BOX(CM))	NET WEIGHT (COLOR BOX(KG))
827 x 340 x 135	0.37
GROSS WEIGHT (COLOR BOX (KG))	VOLUME (COLOR BOX (CBM))
3.60	0.038