



BLANCHE 42

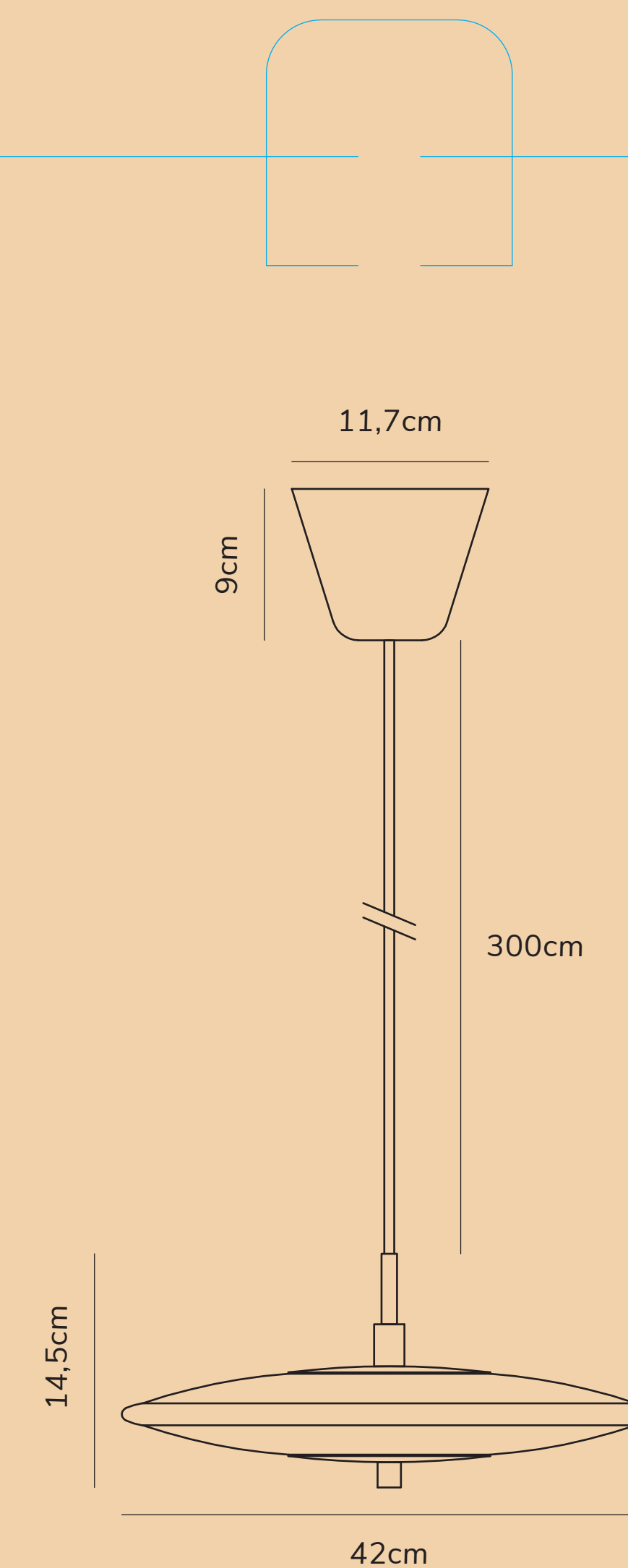
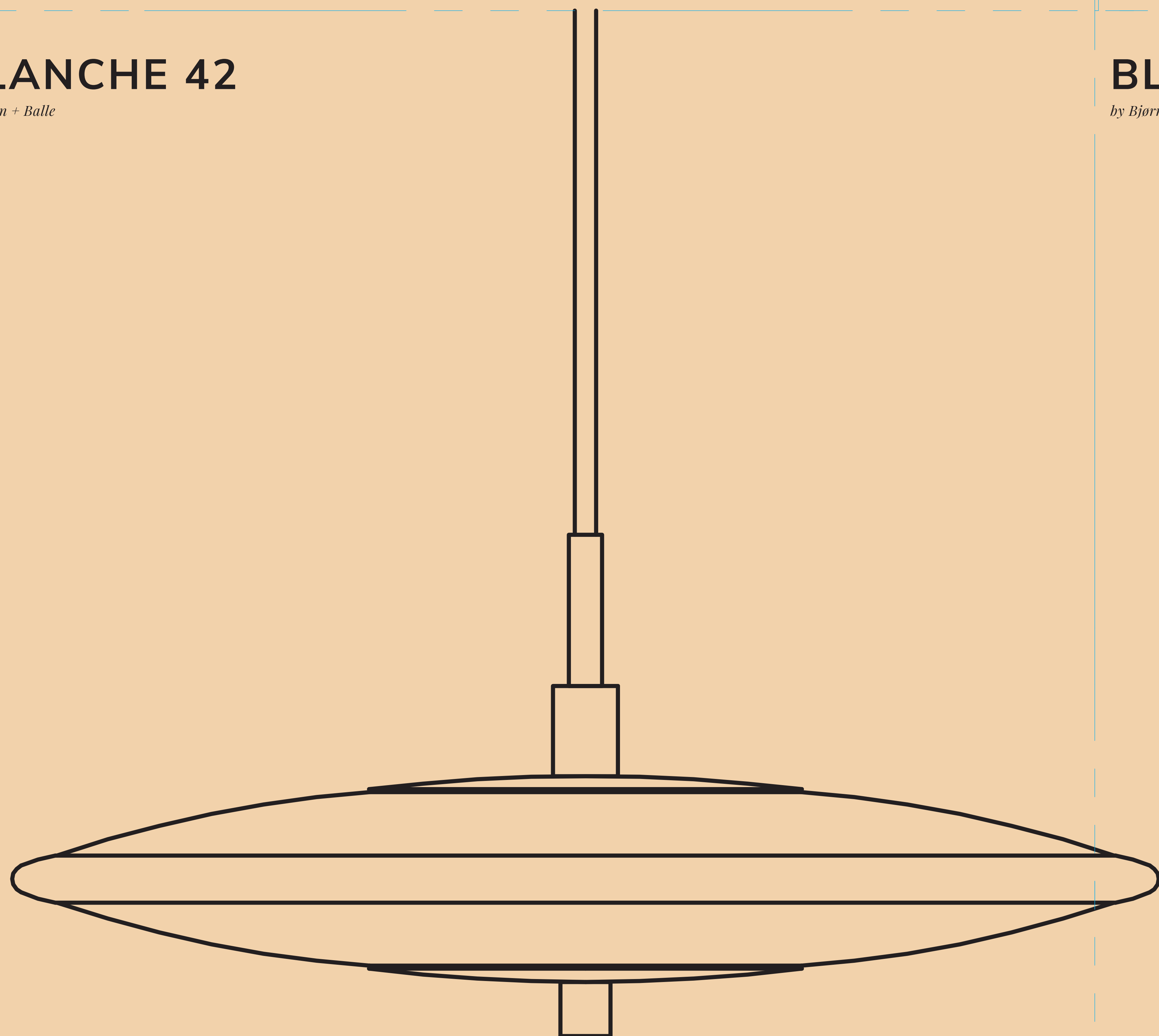
by Bjørn + Balle

BLANCHE 42

by Bjørn + Balle

BLANCHE 42

by Bjørn + Balle



The designers combine minimalistic Scandinavian design with international trends. It's about image creation and recognizability. The overall identity of the product is its form, function, details, structure and materials, which all comes together. A product never stands alone but is part of an environment where the story being told supports the design.

BJØRN + BALLE have both carried out a large number of design tasks for both national and international clients at many different areas, such as product design, furniture design, interior design, identity programs and exhibitions, and together they have great success with lighting design.

BJØRN + BALLE has delivered a wide range of innovative technical solutions for the industry, as well as beautifully designed products for the consumer market.

Bjørn + Balle

Bjørn + Balle

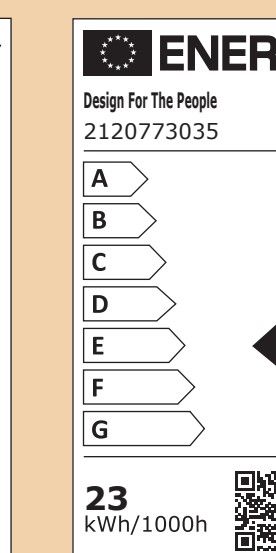
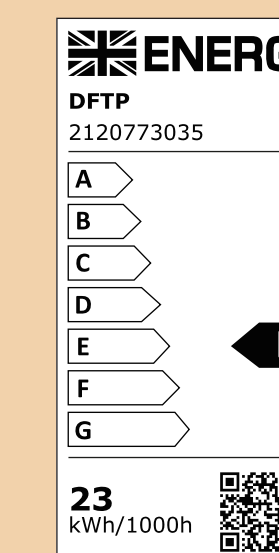


23W 220-240-50/60Hz 2000lm 360°

BLANCHE 42

by Bjørn + Balle

Item number 2120773035
Color Brushed Brass
Material Metal/Plastic
IP class IP20, indoor use only, class II
input voltage 220-240-50/60Hz
Whole lamp lumen 2276lm
Light source lumen 2900lm (360°)
Kelvin 3000K warm white
Colour rendering RA80
Life hours 30000 hrs
Cable Switch White textile cable, 300cm non replaceable



Height x Width x Depth COLOR BOX(CM)	NET WEIGHT COLOR BOX(KG)
50,7 x 48 x 13	0,31
GROSS WEIGHT COLOR BOX(KG)	VOLUME COLOR BOX (CBM)
2,20	0,032

UseMax F&B
1 Unit 20, Densford Court
887 105 Oldham Lane
Oldham OX11 2JF

AAO 19112023 XY