

225\*225\*260MM



# NORI 18

by Bjørn+Balle

The designers combine minimalistic Scandinavian design with international trends. It's about image creation and recognizability. The overall identity of the product is its form, function, details, structure and materials, which all comes together. A product never stands alone but is part of an environment where the story being told supports the design.

BJØRN + BALLE have both carried out a large number of design tasks for both national and international clients at many different areas, such as product design, furniture design, interior design, identity programs and exhibitions, and together they have great success with lighting design.

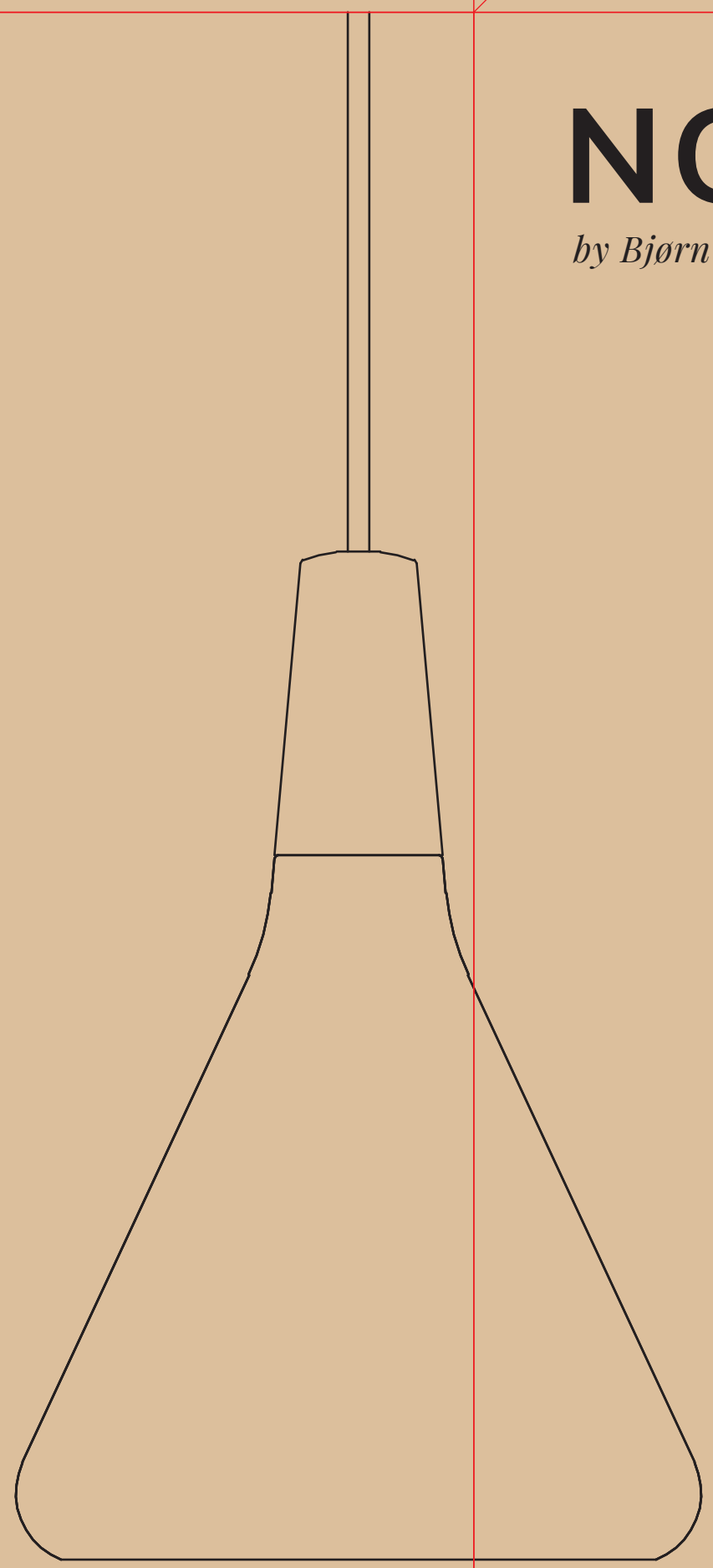
BJØRN + BALLE has delivered a wide range of innovative technical solutions for the industry, as well as beautifully designed products for the consumer market.

*Bjørn + Balle*

Bjørn + Balle

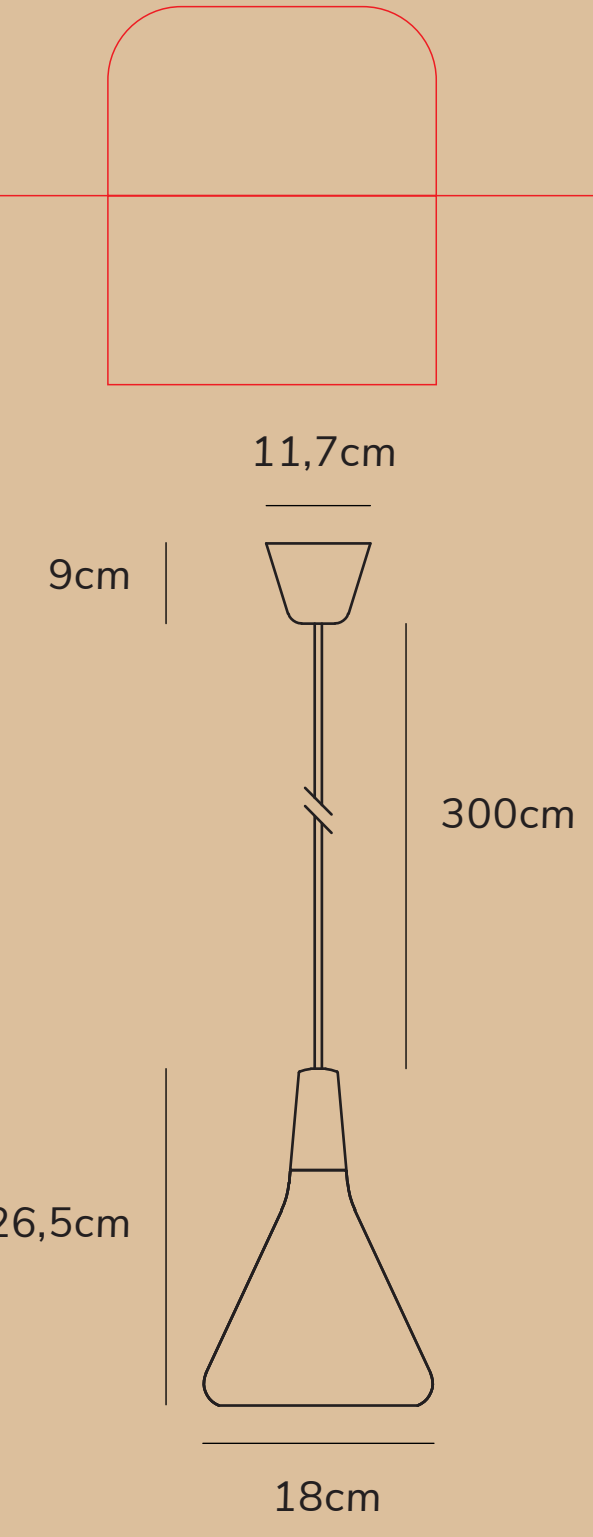
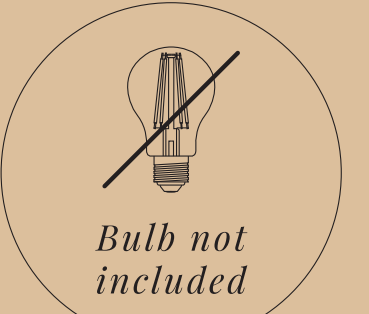
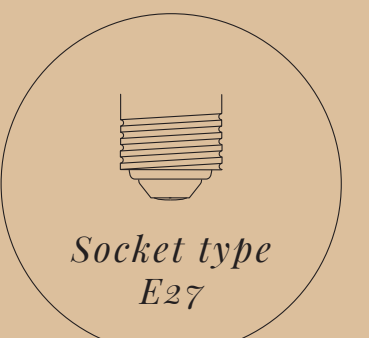
# NORI 18

by Bjørn+Balle



# NORI 18

by Bjørn+Balle



# NORI 18

by Bjørn+Balle

- Item number 2120803003
- Color Black
- Material Metal/Wood
- IP Class IP20-for indoor use, Class II
- Voltage 220-240V ~ 50/60Hz
- Cable Textile cable: Black 300cm non replaceable
- Light source E27, Max.60W Excl. light source



Sindhu + Co.  
Unit 22, Diamond Cour  
B7 1QS Clitheroe Lancashire  
01200422777  
AAD.1112023 XY

Height + Width + Depth COLOR BOX (CM)	NET WEIGHT COLOR BOX (KG)
26*22*18=1032	0.17KG
GROSS WEIGHT COLOR BOX (KG)	VOLUME COLOR BOX (CBM)
1.19KG	0.013