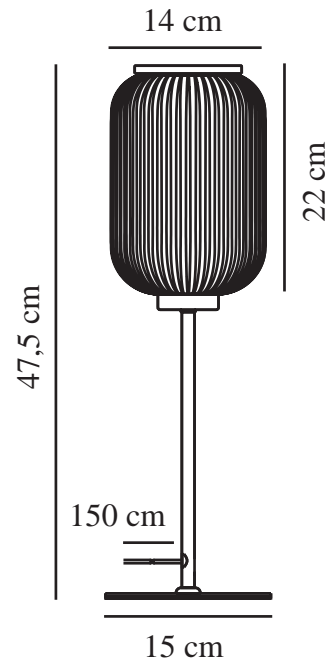


MILFORD | TABLE LAMP | BRASS

2213225001

nordlux®



Voltage (V): 220-240 Volt
IP degree: IP20
Maximum bulb wattage (W): 40W
Class (Class 1, Class 2, Class 3):
Class 2 (Double isolated)
Socket type: E27
Switch placement: On the cable
Parallel connection: False

Primary material: Glass
Secondary material: Metal
Colour of the cable: White
Length of the cable (cm): 150
Surface material of the cable:
Textile
Is the cable replaceable: False
Colour: Brass

Height (cm): 48
Width (cm): 15
Tube Diameter (cm): 1.15
Shade Diameter (cm): 14
Outdoor base dimension (cm): 15
Length (cm): 15

EAN: 5704924011900
TUN: 2276969
Item Number: 2213225001
Pcs Per Master Carton: 3

Sales Box Height (cm): 26.5
Sales Box Width(cm): 28
Sales Box Depth (cm): 16
Sales Box Volume m³: 0.0119
Product net weight (kg): 1.39

- Vintage design • Material mix of brass and "pleated" opal white glass
- Opal white, mouth blown glass • Provides a soft, diffused light

Milford is a decorative series, where the opal white mouth blown glass creates a soft and almost "pleated" look. The design is classic and vintage, balanced with a modern twist of the brass base. The combination of the organic forms and the grooved surface creates elegance and illuminates the room with a soft and warm light.

The glass in this lamp is mouth-blown and has been individually hand crafted. Due to this unique process, air bubbles may appear in the glass and the thickness of the glass can also vary. This gives the glass its character and vivid appearance.