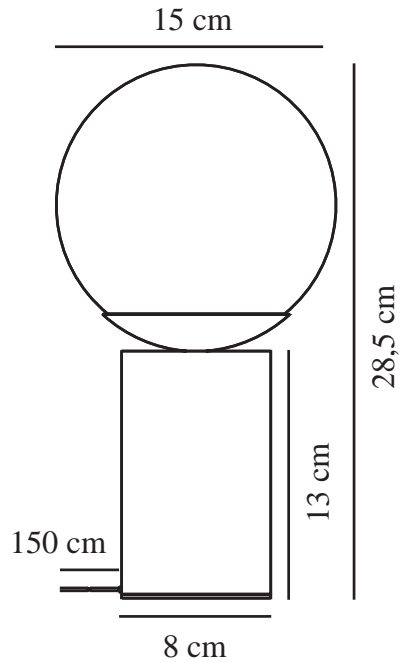


LILLY MARBLE | TABLE LAMP | GREY

2213575010

nordlux®



Voltage (V): 220-240 Volt
IP degree: IP20
Maximum bulb wattage (W): 25
Class (Class 1, Class 2, Class 3):
Class 2 (Double isolated)
Socket type: E14
Switch placement: On the cable
Parallel connection: False

Primary material: Glass
Secondary material: Marble
Colour of the cable: Black
Length of the cable (cm): 150
Surface material of the cable:
Textile
Is the cable replaceable: False
Colour: Grey

Height (cm) : 28.5
Width (cm): 15
Shade Diameter (cm): 15
Length (cm): 15
EAN: 5704924012297
TUN: 2276915
Item Number: 2213575010
Pcs Per Master Carton: 3

Sales Box Height (cm): 31
Sales Box Width(cm): 17
Sales Box Depth (cm): 17
Sales Box Volume m³ : 0.009
Product net weight (kg): 2.19

- Contemporary art deco design expression
- Genuine marble in nature's playful colours
- Mouth blown glass and exclusive details
- Marble structure means that not two are alike

Lilly is a highly decorative series that combines simplicity and elegance in the finest way. A stylish interplay between the heavy marble base and the luminous, opal white glass dome creates a contemporary design expression with art deco references.

Marble is a unique natural material and therefore lines, colours and patterns may vary from lamp to lamp. This is a part of the charm of working with natural materials.

The glass in this lamp is mouth-blown and has been individually hand crafted. Due to this unique process, air bubbles may appear in the glass and the thickness of the glass can also vary. This gives the glass its character and vivid appearance.