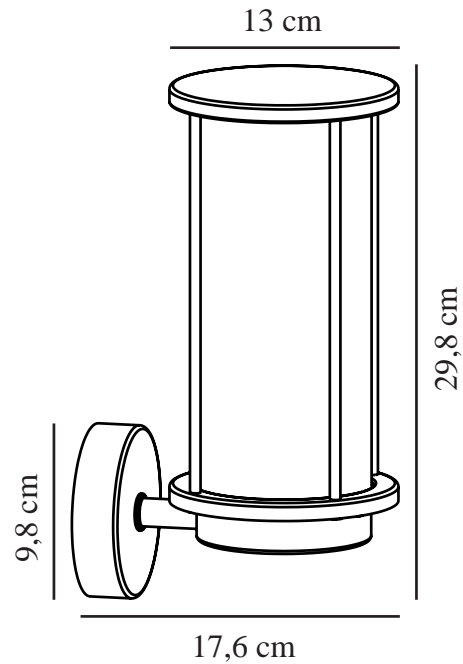


LINTON | WALL LIGHT | GALVANIZED

2218281031

nordlux®



Voltage (V): 220-240 Volt
IP degree: IP54
Maximum bulb wattage (W): 15
Class (Class 1, Class 2, Class 3):
Class 1 (Earth contact)
Socket type: E27
Parallel connection: True

Primary material: Galvanized steel
Secondary material: Plastic
Suitable for Seaside: True
Colour: Galvanized

Height (cm) : 29.8
Width (cm): 13
Shade Diameter (cm): 9.9
Projection (cm): 17.6

EAN: 5704924011030
TUN: 2276872
Item Number: 2218281031
Pcs Per Master Carton: 3

Sales Box Height (cm): 30.5
Sales Box Width(cm): 13.5
Sales Box Depth (cm): 18.5
Sales Box Volume m³ : 0.0076
Product net weight (kg): 1.03

- Ribbed diffuser creates a pleasant light • Extra durable material suitable for coastal areas (Designed For Seaside)
- 15-year guarantee on surface deterioration

The Linton series by Danish design duo Says Who is carried out in a round and elegant design with clear references to the classic lantern. It has a ribbed diffuser that ensures a pleasant, diffused light and a base made from galvanized steel that is well suited for harsh weather. The wall lamp creates the perfect ambience for your outdoor areas.

This product is part of our "Designed For Seaside" range, crafted from extra durable materials to withstand even the harshest coastal weather conditions.

Over time, exposure to the elements causes the galvanised steel to develop a beautiful, darker patina.