



# NAVONE 20

Studio Mavro//Lefèvre by Sofie Lefèvre

Sofie Lefèvre finished her Design degree at the Royal College of Art in London and has since then worked passionately with lighting designs inspired by elements from history, architecture and nature.

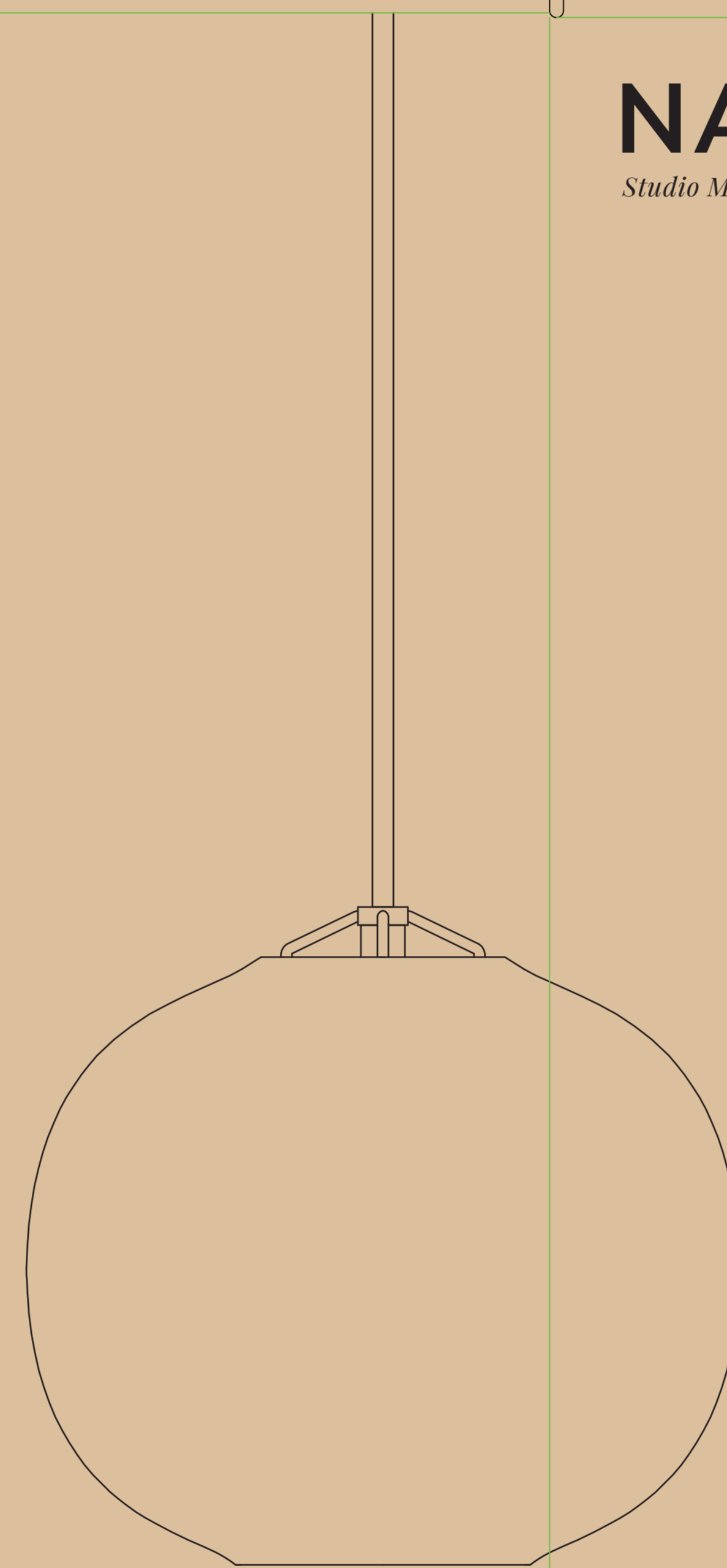
Working with lighting comes naturally to Sofie. She understands and emphasizes the impact light has on our lives and is fascinated by the way light can change the interior: "I find it very interesting working with atmospheres created by light. There are so many aspects where my inner child can be released, playing with angles, materials and openings to create the wanted reflection or diffusion of light."



Studio Mavro//Lefèvre by Sofie Lefèvre

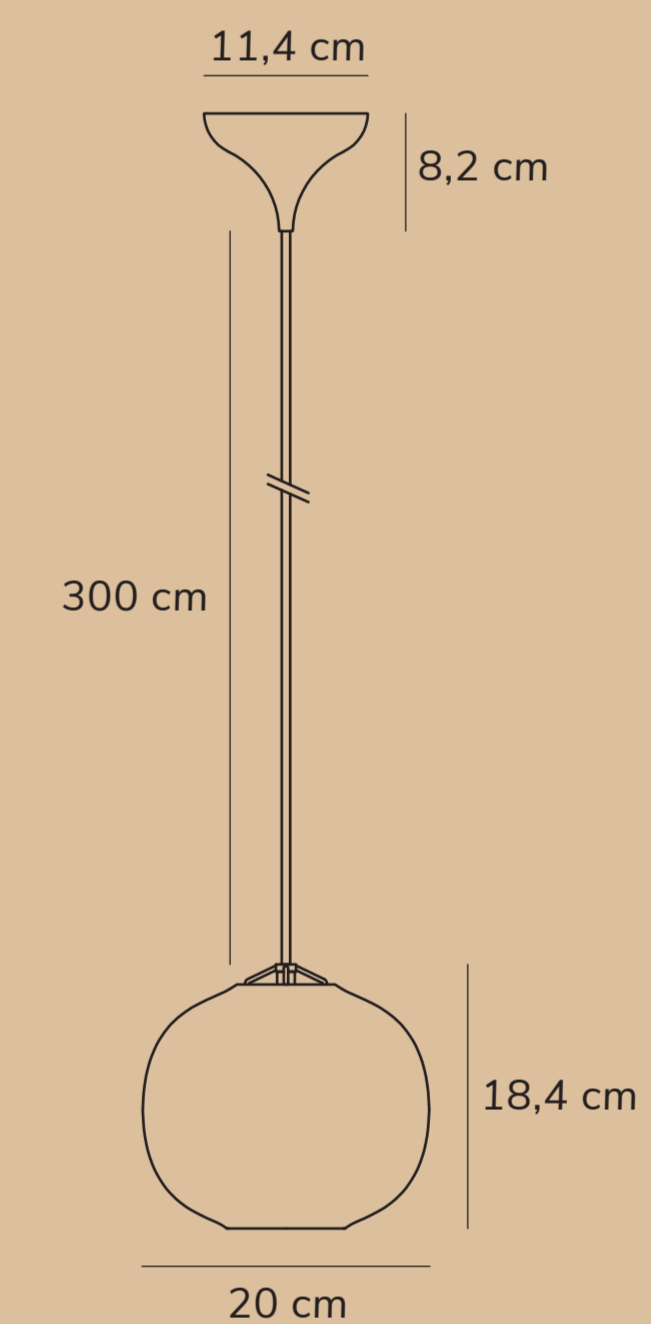
# NAVONE 20

Studio Mavro//Lefèvre by Sofie Lefèvre



# NAVONE 20

Studio Mavro//Lefèvre by Sofie Lefèvre



# NAVONE 20

Studio Mavro//Lefèvre by Sofie Lefèvre

- Item number** 2220433001
- Color** Brushed brass/Opal
- Material** Metal / Opal glass
- IP Class** IP20-for indoor use, Class II
- Voltage** 220-240V ~ 50/60Hz
- Cable** Textile cable: White 300cm non replaceable
- Light source** E27, Max.40W Excl. light source



Nordlux UK  
Unit 21, Riverside Court  
87-105 Colton Road, Lancashire  
OL10 4JZ  
AAO-10032022\_XY

Height x Width x Outer Color Box (CM)	NET WEIGHT COLOR BOX (KG)
35 x 28 x 303 CM	0,28KG
ORDER WEIGHT COLOR BOX (KG)	VOLUME COLOR BOX (CBM)
0,28KG	0,019