

ROCHELLE
by Charlotte Höncke

ROCHELLE
by Charlotte Höncke

ROCHELLE
by Charlotte Höncke

Charlotte Höncke has always had a great passion for design and knew from a very early age that she wanted to pursue a career in design or architecture. In 2002 she graduated from Aarhus School of Architecture in Industrial Design, and a few years later she chose to become self-employed working with design full time.

Charlotte Höncke
Charlotte Höncke

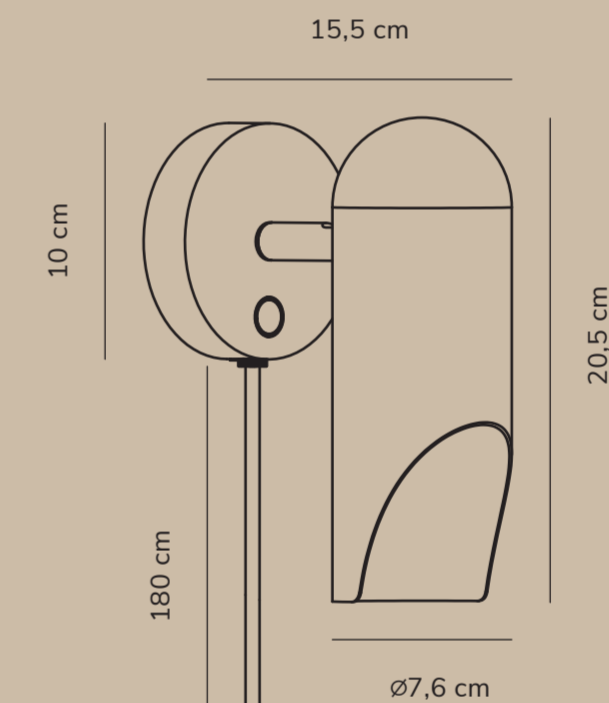


Nordlux UK
Unit 22, Dearfield Court
BB7 1QS Clitheroe, Lancashire
01200422777
AAD:14122022.XY



ROCHELLE
by Charlotte Höncke

- Item number** 2320301003
- Color** Black
- Material** Metal, Plastic
- IP Class** IP20-for indoor use, Class II
- Voltage** 220-240V~ 50/60Hz
- Cable** Textile cable: Black 180 cm replaceable
- Switch** On the base
- Light source** GU10, Max. 15W, Excl. light source



www.dfptglobal.com



0.00472 CBM	KG
VOLUME COLOR BOX (CBM)	GROSS WEIGHT COLOR BOX (KG)
KG	22.5 x 12 x 17.5 CM
NET WEIGHT COLOR BOX (KG)	Height x Width x Depth COLOR BOX (CM)