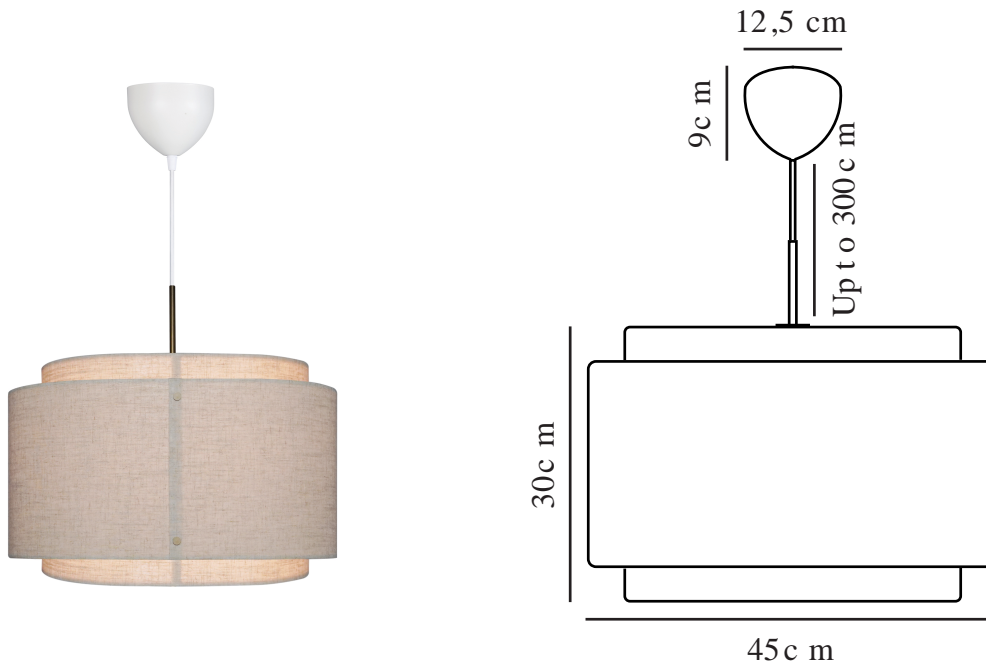


TAKAI | PENDANT | BEIGE

2320403018



Voltage (V): 220-240 Volt
IP degree: IP20
Maximum bulb wattage (W): 25W
Class (Class 1, Class 2, Class 3):
Class 2 (Double isolated)
Socket type: E27

Primary material: Stainless steel
Secondary material: Textile
Colour of the cable: White
Length of the cable (cm): 300
Surface material of the cable:
Textile
Is the cable replaceable: False

Colour: Beige
Height (cm): 30
Width (cm): 45
Shade Diameter (cm): 45
Shade Height (cm): 46
Outdoor base dimension (cm):
12.5
Lenght (cm): 45

EAN: 5704924015441

Item Number: 2320403018
Pcs Per Master Carton: 2
Sales Box Height (cm): 33
Sales Box Width(cm): 47
Sales Box Depth (cm): 47
Sales Box Volume m³ : 0.0729
Product net weight (kg): 2.3

• Combines materials such as burnished brass and fabric • Fabric shade in a beautiful shape

• The design oozes that luxury hotel feeling

The Takai pendant by Studio Mavro//Lefèvre by Sofie Lefèvre has a large fabric shade with a beautiful shape that invites you to look at it from many different angles. The combination of the flax linen shade and the burnished brass suspension creates a very soft and warm design language.