

TAKAI

by Studio Mazro // Lefèvre by Sofie Lefèvre

Studio Mazro/Lefèvre by Sofie Lefèvre
Sofie Lefèvre finished her Design degree at the Royal College of Art in London and has since then worked passionately with lighting designs inspired by elements from history, architecture and nature.

Working with lighting comes naturally to Sofie. She understands and emphasizes the impact light has on our lives and is fascinated by the way light can change the interior. "I find it very interesting working with atmospheres created by light. There are so many aspects where my inner child can be released, playing with angles, materials and openings to create the wanted reflection or diffusion of light."

Studio Mazro // Lefèvre by Sofie Lefèvre

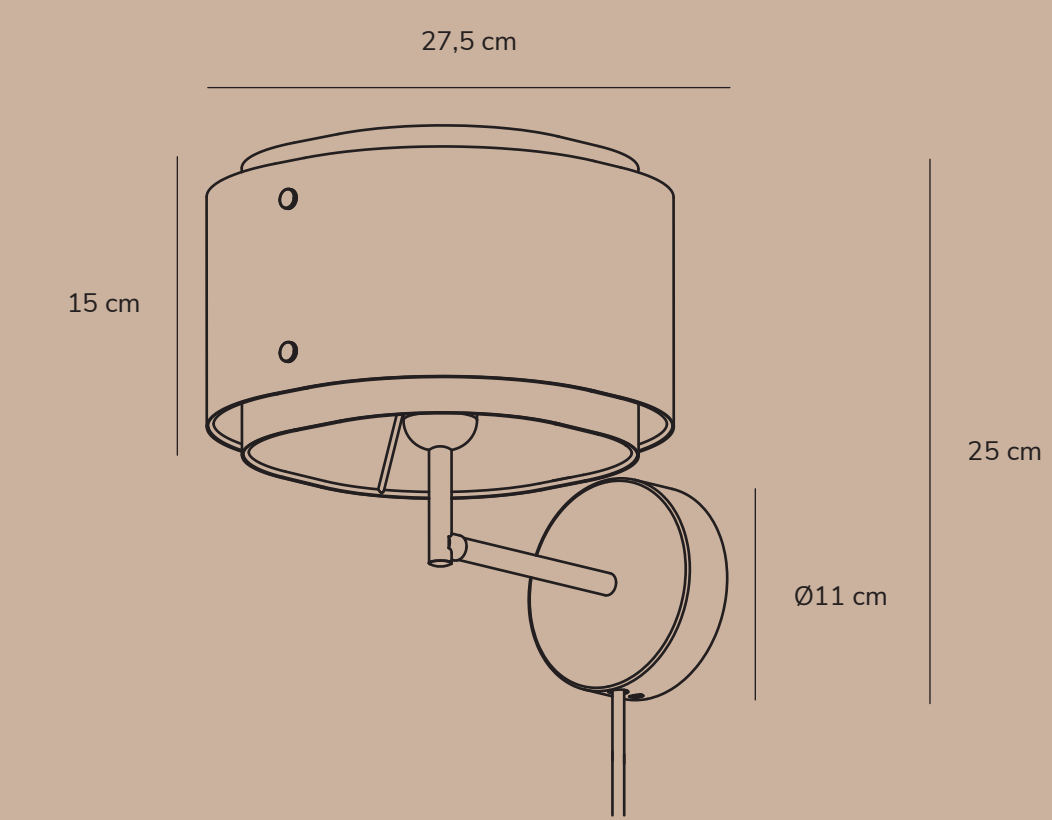
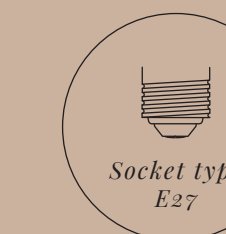
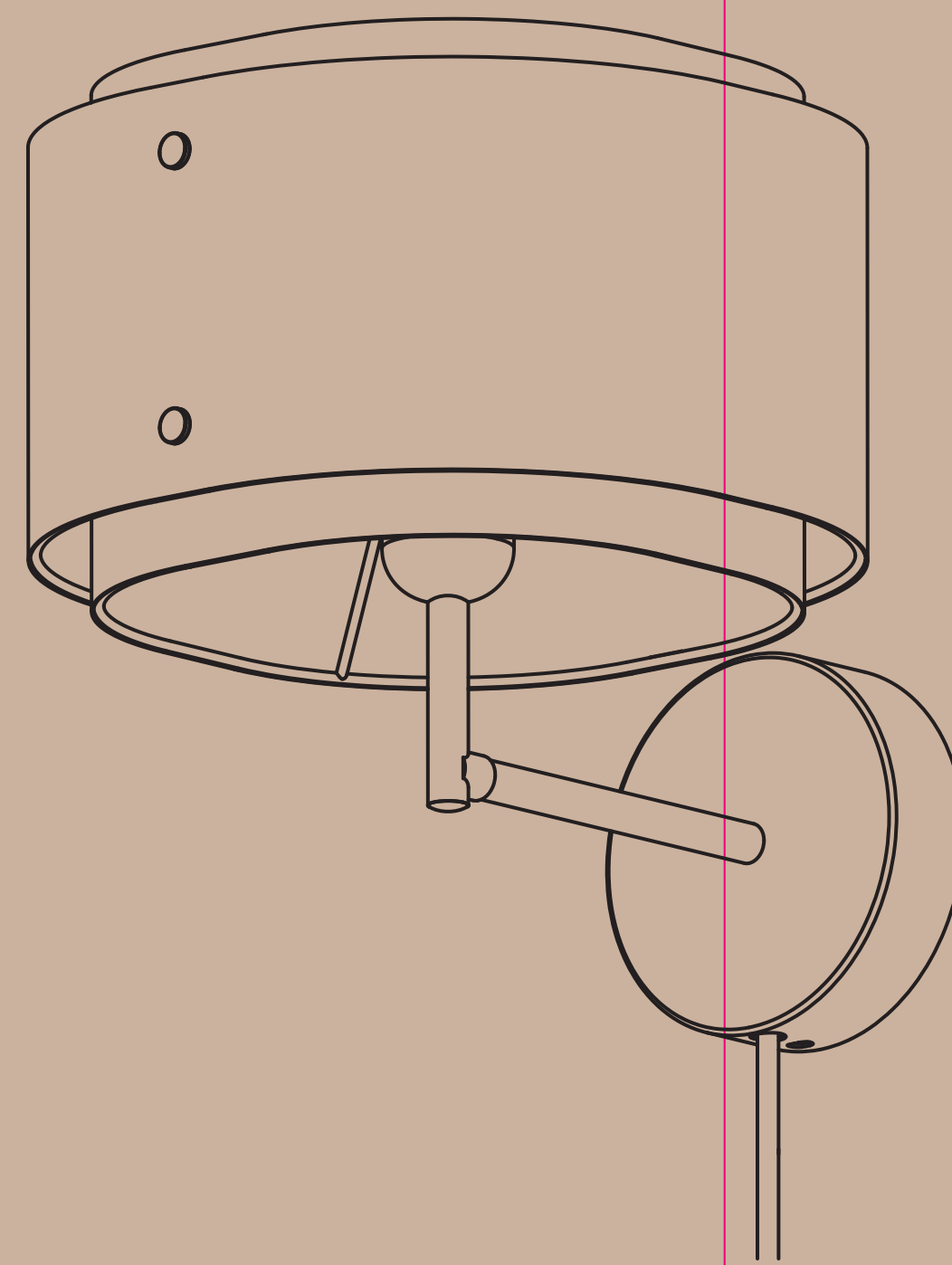
TAKAI

by Studio Mazro // Lefèvre by Sofie Lefèvre



TAKAI

by Studio Mazro // Lefèvre by Sofie Lefèvre



TAKAI

by Sofie Lefèvre

Item number 2320421018
Color Brown
Material Metal / Fabric
IP Class IP20-for indoor use, Class II
Voltage 220-240V- 50/60Hz
Cable Textile cable; White 180 cm replaceable
Switch On the Socket
Light source E27, Max. 25W, Excl. light source



www.dftglobal.com

5 704924 015458



NET WEIGHT COLOR BOX (KG)	23.24
VOLUME COLOR BOX (CM³)	10.00
GROSS WEIGHT COLOR BOX (KG)	10.00
BOXES PER CARTON	10

5 704924 015458

240

280

240

280

230