

340

KAITO 2 PRO 30

by *Bonnelycke mdd*

Bonnelycke mdd was established in 1988. Driven by a nosurpressable urge and desire to work constructively with the design of lamps, furniture and interior and innovatively, Bonnelycke mdd started his career decorating. Quickly, he became known as an unconventional architect with no whims and fancies.

His ability to challenge and optimize the manufacturing process itself is to be found in Henrik's original professional background as a toolmaker.

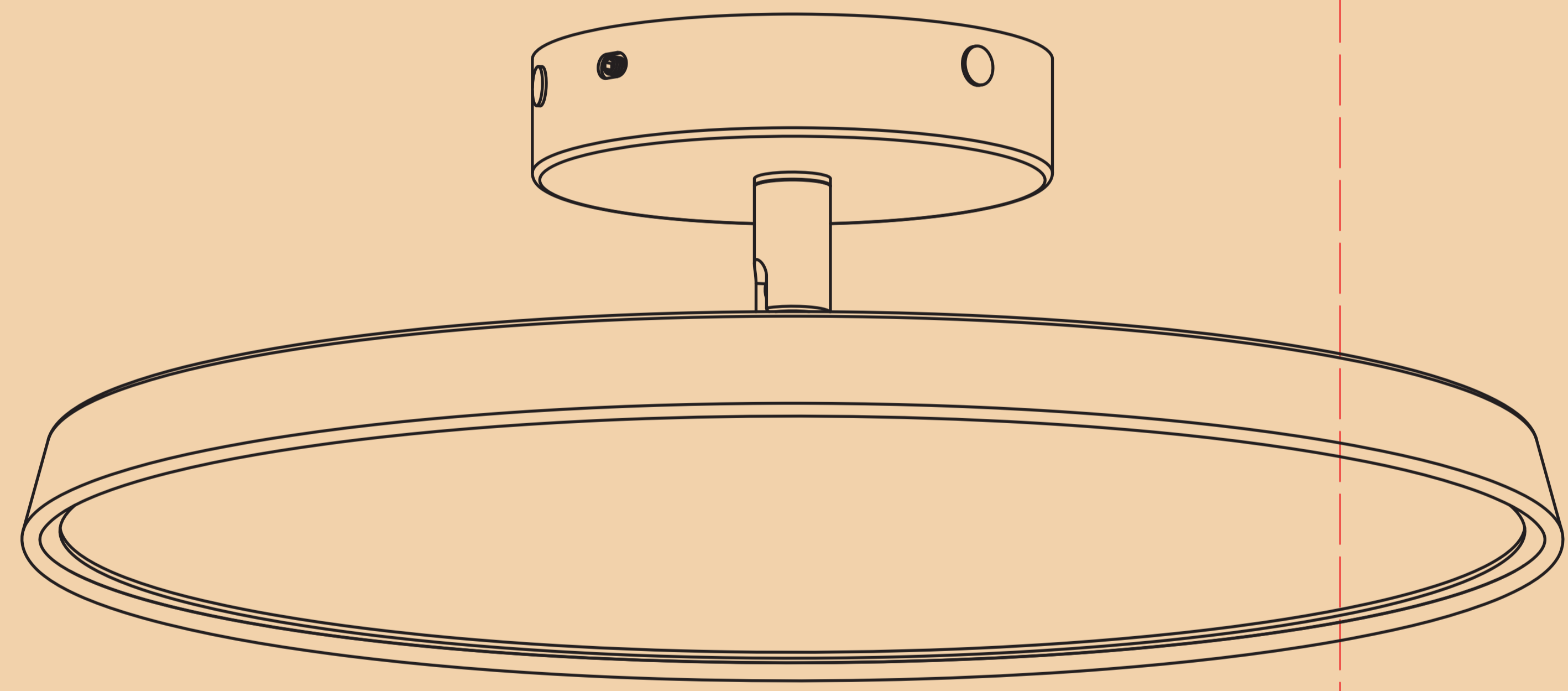
"It could be fun" and "of course it can be done" – are phrases often used in his company.

From day one, the core of his work has been to create products simply because they are needed. Designs by Bonnelycke mdd grow out of a specific need or requirement expressed by the customer – and by the general public as such. This has resulted in a comprehensive portfolio of projects and designs allowing the company to slowly but steadily expand over the years.

Bonnelycke mdd

KAITO 2 PRO 30

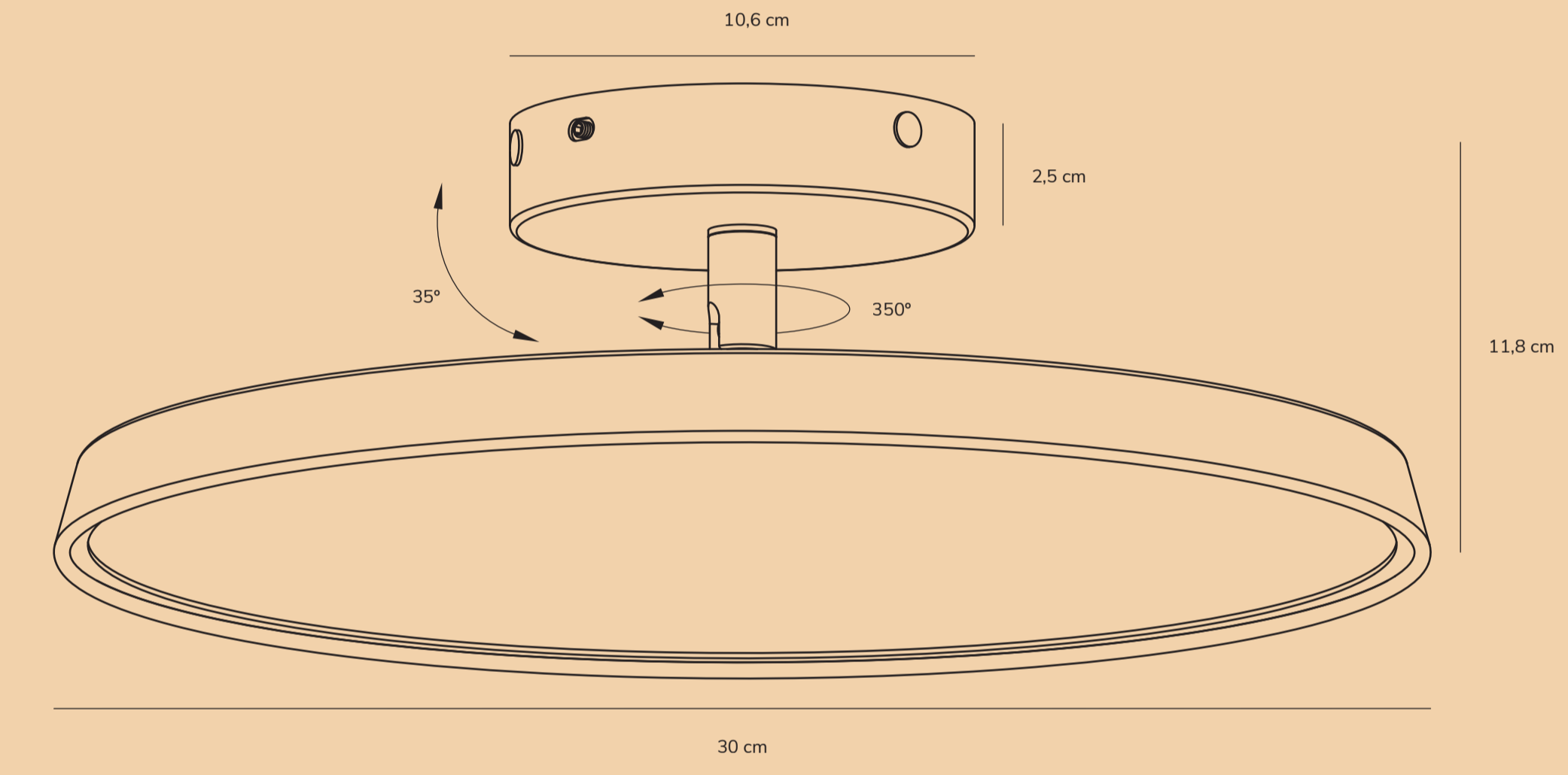
by *Bonnelycke mdd*



18W 220-240-50/60Hz 2100lm 360°

KAITO 2 PRO 30

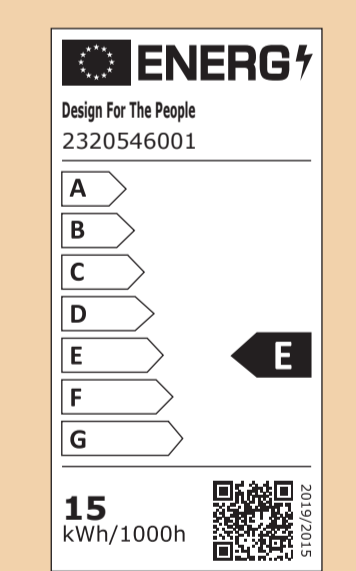
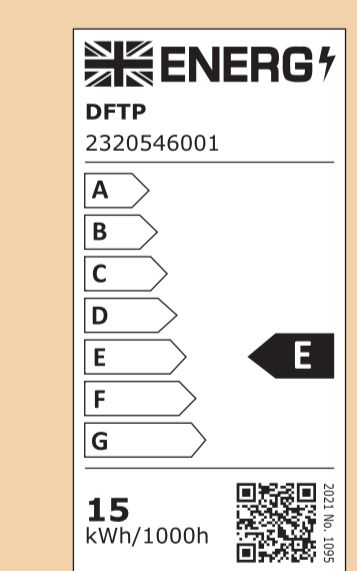
by *Bonnelycke mdd*



KAITO 2 PRO 30

by *Bonnelycke mdd*

Item number	2320546001
Color	White
Material	Metal/Plastic
IP class	IP20, indoor use only, class II
input voltage	220-240-50/60Hz
Whole lamp lumen	1500lm
Light source lumen	2100lm (360°)
Kelvin	3000K warm white
Colour rendering	RA80
Life hours	30000 hrs



Shindler, J.K.
Unit 22, Clarendon Court
BB7 3QS Chorley, Lancashire
01204422777

AAO:17102023 HT

Height x Width x Depth COLOR BOX(CM)	NET WEIGHT COLOR BOX(KG)
34 x 34 x 14	
GROSS WEIGHT COLOR BOX(KG)	VOLUME COLOR BOX (CBM)
	0.0181

140

340

140

340

30