

425

KAITO 2 PRO 40

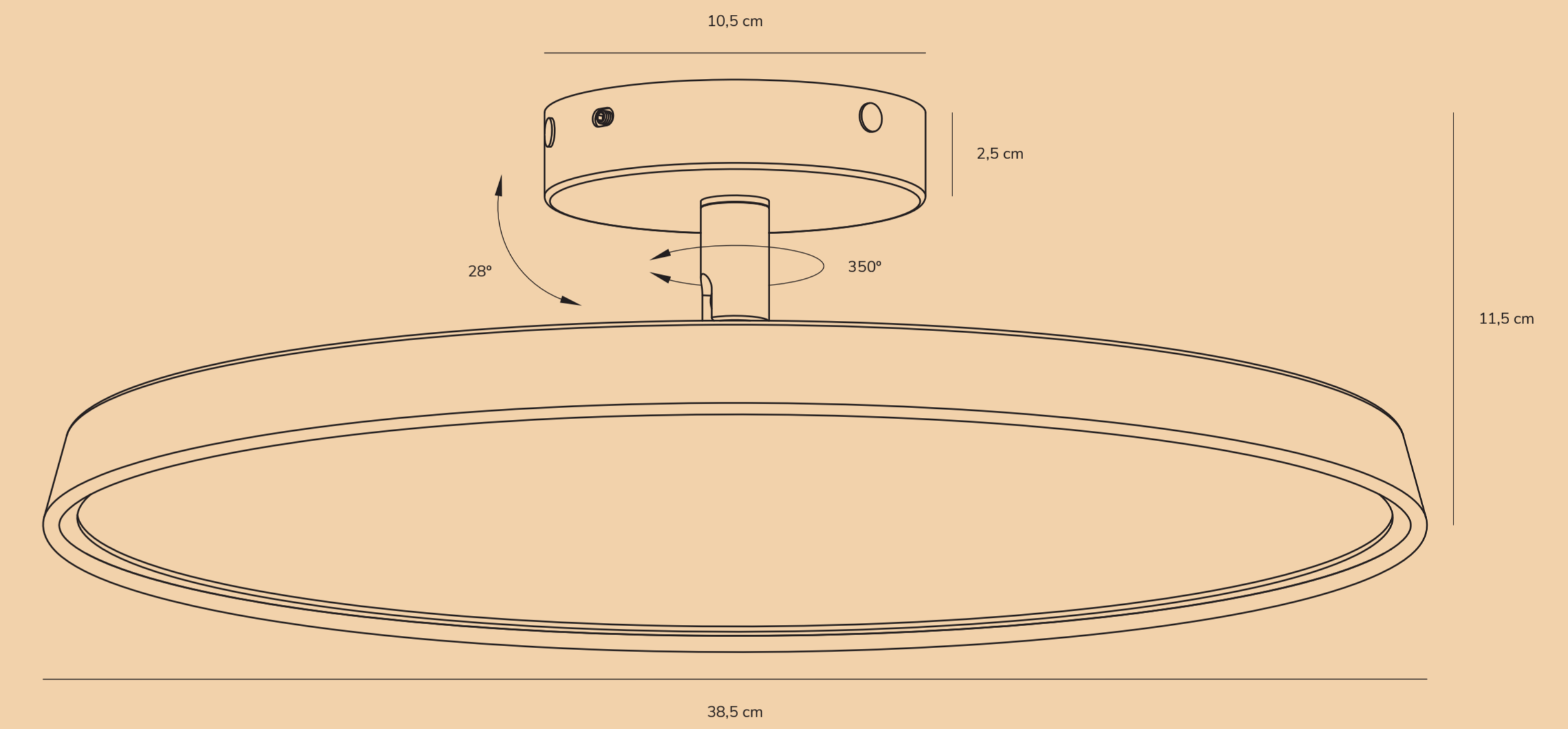
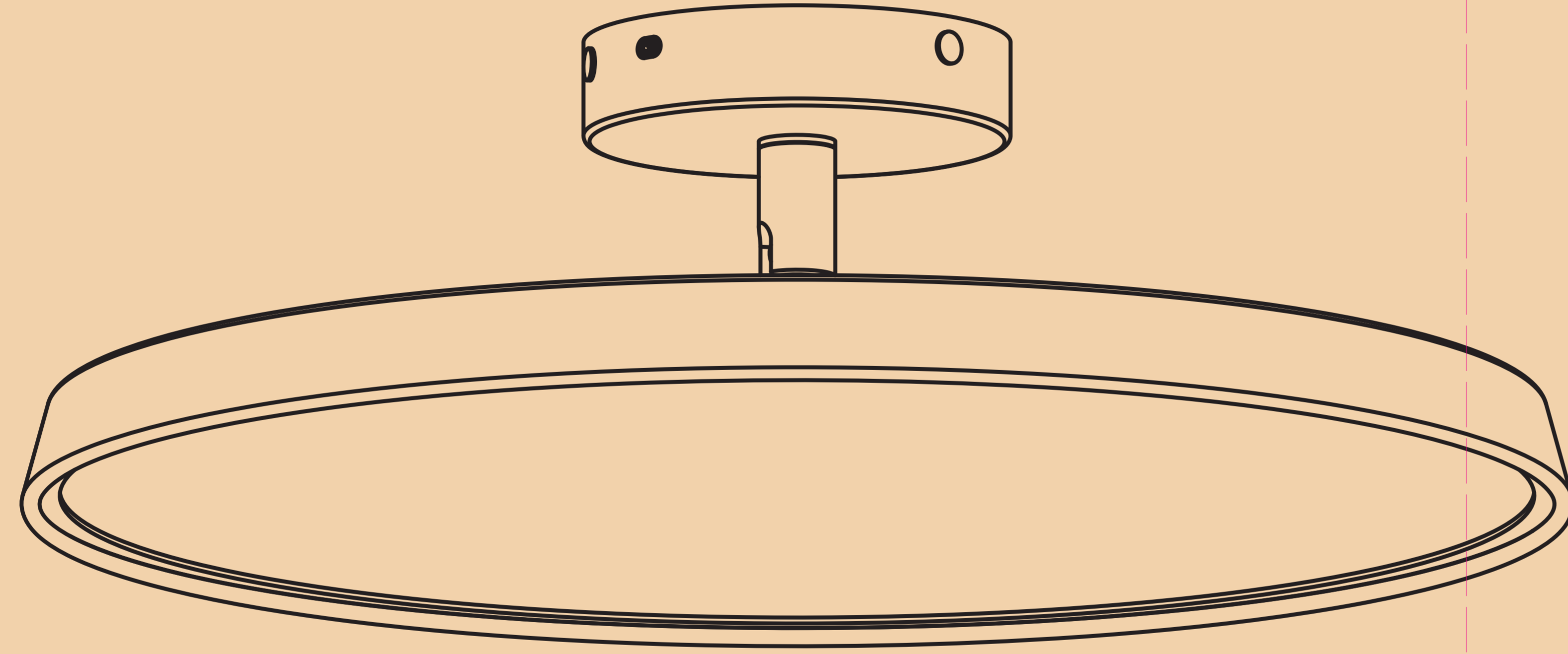
by Bonnellycke MDD

KAITO 2 PRO 40

by Bonnellycke MDD

KAITO 2 PRO 40

by Bonnellycke MDD



Bonnellycke MDD was established in 1988. Driven by an irrepressible urge to work constructively and innovatively, Henrik Bonnellycke began his career designing lamps, furniture, and interior decor. He quickly gained recognition as an unconventional architect known for his pragmatic and no-nonsense approach.

His ability to challenge and refine the manufacturing process stems from his original professional background as a toolmaker. "It could be fun" and "of course it can be done" are phrases often heard in his company.

From day one, the core of his work has been to create products simply because they are needed. Designs by Bonnellycke MDD are always rooted in a specific need or requirement. This philosophy has resulted in a comprehensive portfolio of projects and designs, enabling the company to grow steadily over the years.

Bonnellycke MDD



27W 220-240-50/60Hz 2900lm (360°)

KAITO 2 PRO 40

by Bonnellycke MDD

Item number	2320556001
Color	White
Material	Metal/Plastic
IP Class	IP20, indoor use only, class II
Input Voltage	220-240-50/60Hz
Lumen	1840lm for the whole lamp, 2900lm (360°) for light source
Watt	27W
Kelvin	3000K warm white
Colour rendering	RA80
Life hours	30000 hrs



www.dftglobal.com



Model: K2
Unit: B, Silver/White
Altura: 885.519
01/2008/2777

AAD: 13032026 HT

Height x Width x Depth COLOR BOX(SH)	NET WEIGHT COLOR BOX(SH)
425 x 425 x 15	
GROSS WEIGHT COLOR BOX(SH)	VOLUME COLOR BOX (CBM)
	0.027

150

425

150

425

30