

# ARTIST 25

by *Bonnelycke mdd*

# ARTIST 25

by *Bonnelycke mdd*

# ARTIST 25

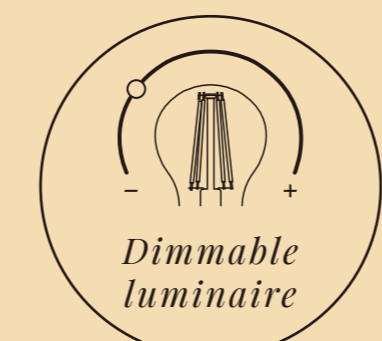
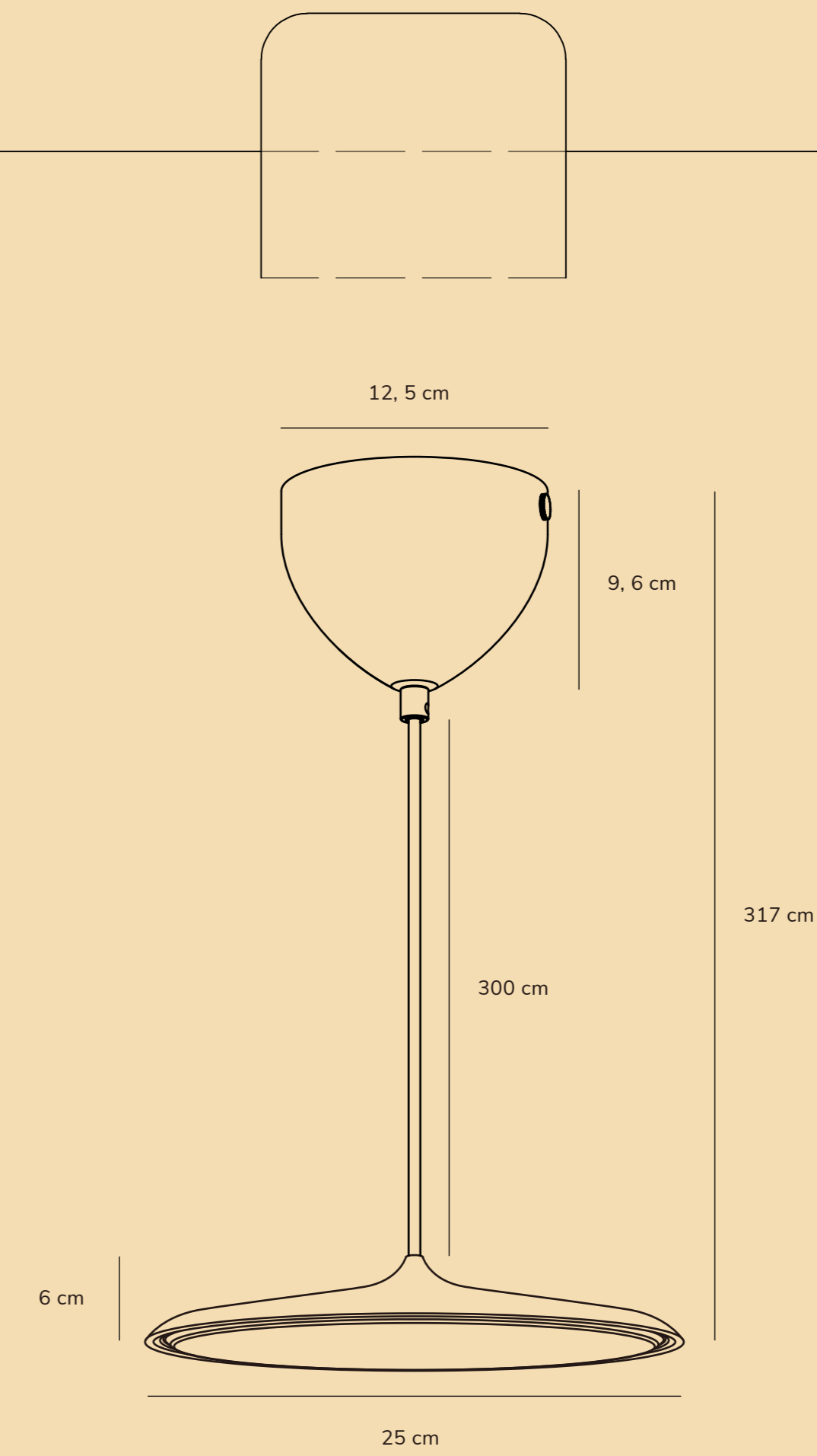
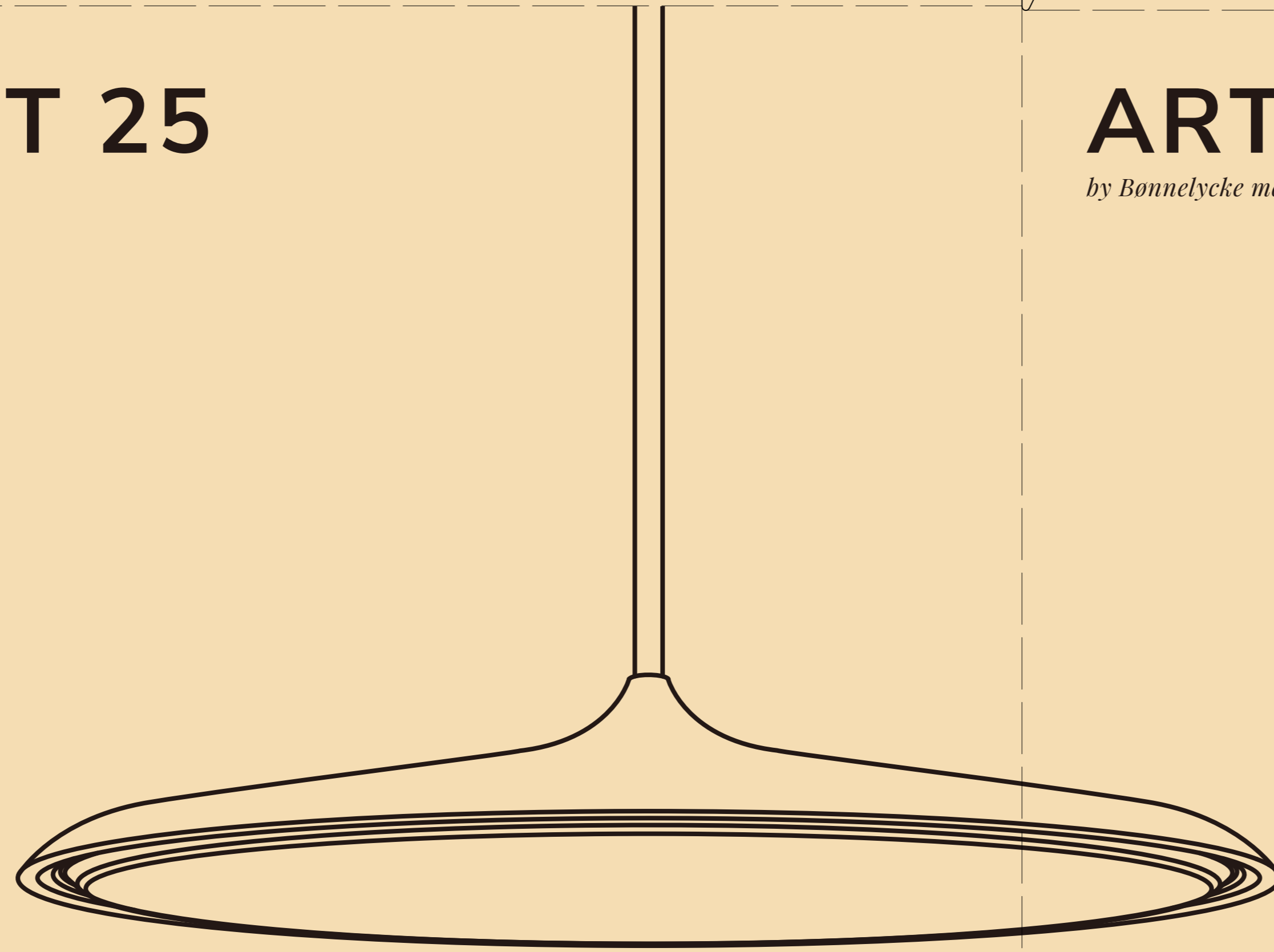
by *Bonnelycke mdd*

Bonnelycke Mdd was established in 1988. Driven by a nosurpressable urge and desire to work constructively and innovatively, Bonnelycke mdd started his career with the design of lamps, furniture and interior decorating. Quickly, he became known as an unconventional architect with no whims and fancies.

His ability to challenge and optimize the manufacturing process itself is to be found in Henrik's original professional background as a toolmaker. "It could be fun" and "of course it can be done" – are phrases often used in his company.

From day one, the core of his work has been to create products simply because they are needed. Designs by Bonnelycke Mdd grow out of a specific need or requirement expressed by the customer – and by the general public as such. This has resulted in a comprehensive portfolio of projects and designs allowing the company to slowly but steadily expand over the years.

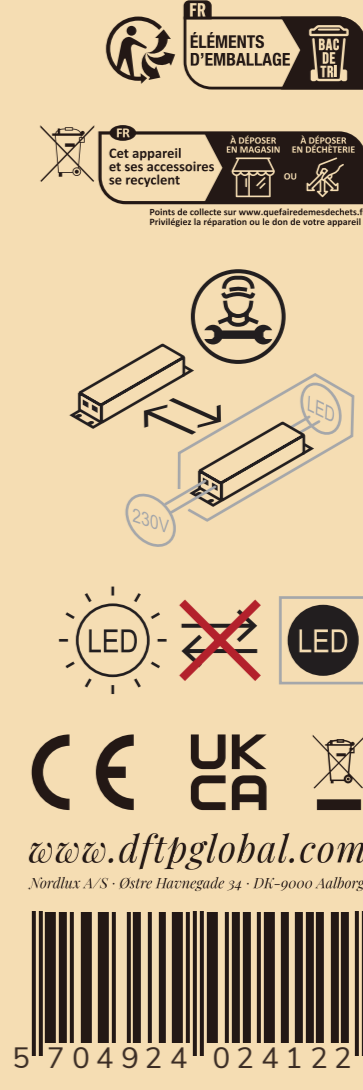
*Bonnelycke mdd*



## ARTIST 25

by *Bonnelycke mdd*

**Item number** 2420203057  
**Color** Dusty rose  
**Material** Metal/Plastic  
**IP Class** IP20, indoor use only, class II  
**Input Voltage** 220-240-50/60Hz  
**Lumen** 1000lm  
**Watt** 14W  
**Kelvin** 3000K warm white  
**Colour rendering** RA90  
**Life hours** 30000 hrs  
**Cable** Dusty rose textile cable, 300cm non replaceable



Hersteller:  
 Unit 22, Dismal Court  
 887 109, Catherine Lane  
 0120422777  
 AAD: 23102024 HT

Height x Width x Depth COLOR BOX(CM)	NEW WEIGHT COLOR BOX(KG)
38 x 32 x 15	KG
GROSS WEIGHT COLOR BOX(KG)	VOLUME COLOR BOX(CM³)
KG	0,038