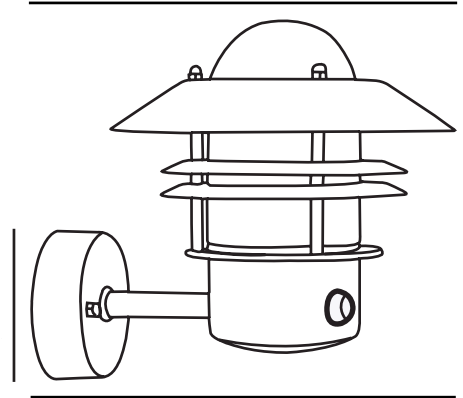
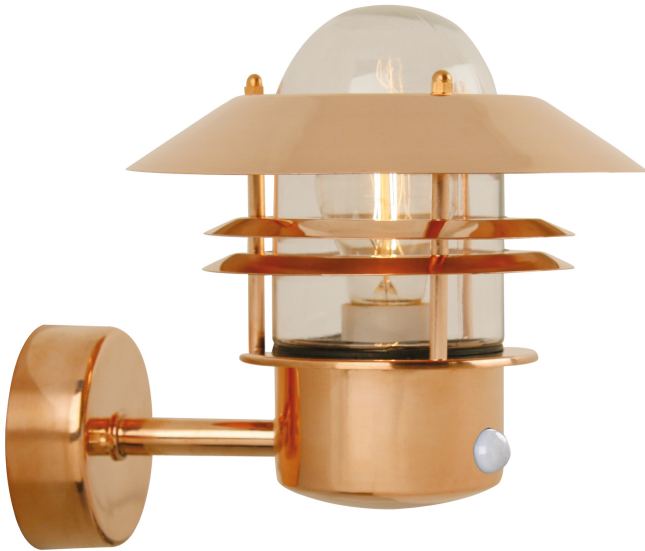


BLOKHUS UP SENSOR | WALL LIGHT | COPPER

nordlux®

25031030



Voltage (V): 230 Volt
IP degree: IP54
Maximum bulb wattage (W): 60W
Class (Class 1, Class 2, Class 3):
Class 1 (Earth contact)
Socket type: E27
Parallel connection: True

Height (cm): 23
Shade Diameter (cm): 22
Projection (cm): 25
EAN: 5701581118041
TUN: 5061471
Item Number: 25031030

Pcs Per Master Carton: 3
Sales Box Height (cm): 30
Sales Box Width(cm): 23
Sales Box Depth (cm): 22
Sales Box Volume m³ : 0.0152
Product net weight (kg): 1.405

Primary material: Copper
Secondary material: Glass
Colour of the glass: Clear
Suitable for Seaside: True
Colour: Copper

- Built-in parallel connection
- Built-in daylight and motion sensor
- Durable material that is well-suited for harsh weather
- 15-year guarantee on surface deterioration

A classic light fixture from Nordlux, suitable for mounting in the driveway, at the entrance, on the terrace, or on the patio. This model is designed with an upward facing lampshade. The built-in sensor ensures that the light turns on automatically when it detects motion nearby. At the same time, it ensures that the light is not turned on unnecessarily.

Copper is a sturdy and weather-resistant material, making the lamp suitable for harsh coastal areas. Copper will also become more beautiful with time.