



GLOSSY MINI

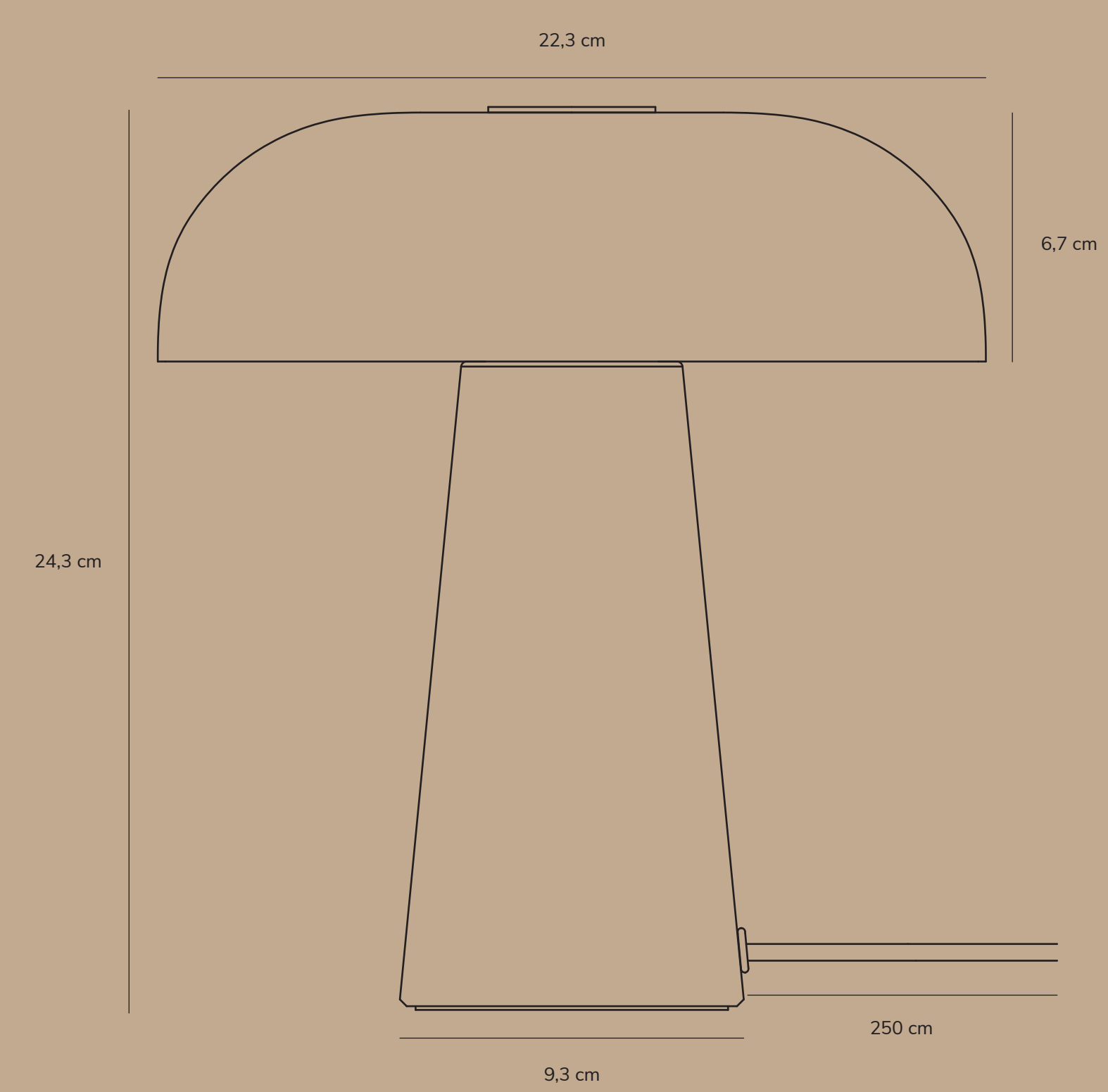
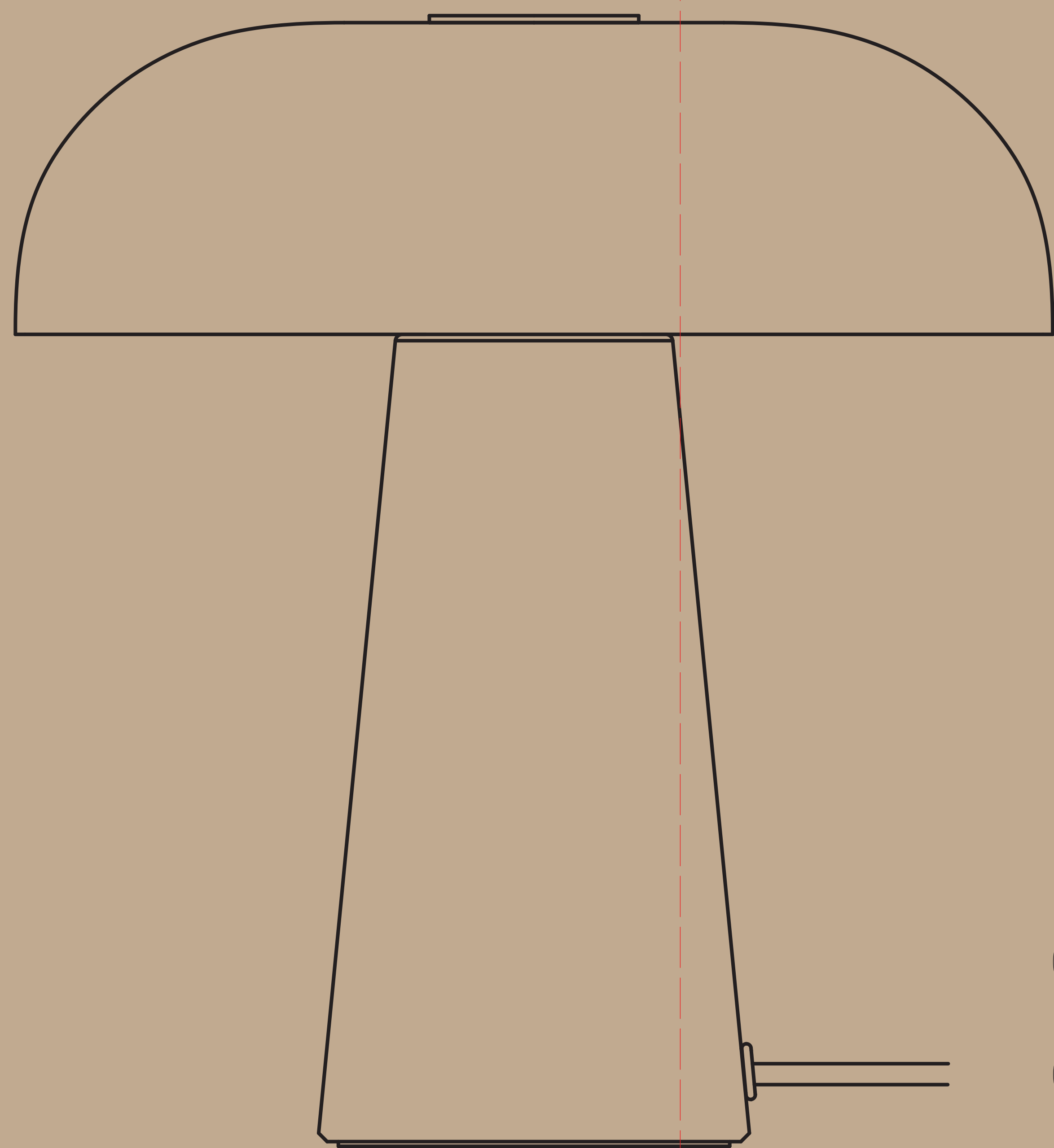
By Maria Berntsen

GLOSSY MINI

By Maria Berntsen

GLOSSY MINI

By Maria Berntsen



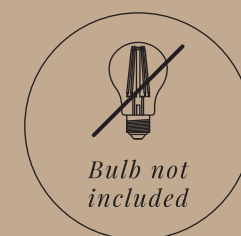
With her own design studio in Copenhagen, Maria Berntsen has since 1992 focused on architecture and design.

Maria Berntsen is a well-established name in the design industry and has over the years collaborated with a wide range of Danish and international companies, where her extensive experience has resulted in many successful designs.

"At the start of a new project, I look for an idea with nerve, functionality and identity. By modelling and visualizing, I test the idea, how it might be used, and its presence.

Good design communicates and establishes a dialogue with the receiver. Design is not just about functionality - it is as much about the emotional connection and impact. To me, success is when my design brings joy in the everyday lives of people"

Maria Berntsen
Maria Berntsen



GLOSSY MINI

By Maria Berntsen

Item number 2520015001
Color White
Material Murano/Crystal glass/Brushed steel
IP Class IP20 for indoor use, Class II
Voltage 220-240V ~ 50/60Hz
Cable Textile cable, White 250 cm non replaceable
Light source E14, Max. 15W, Excl. light source



CE UK CA
www.dfglobal.com



430

150

315

150

315

Weight (Net/Bruto)	Color	Box Size (cm)	Net Weight	Color	Box Size (cm)
400/23.50	White	400	400	23.50	400
400/23.50	White	400	400	23.50	400

Model: EK
190 22 Dashed Cup
By: dfg Copenhagen
0120422777
A40-25102024 HT