



GLOSSY MINI

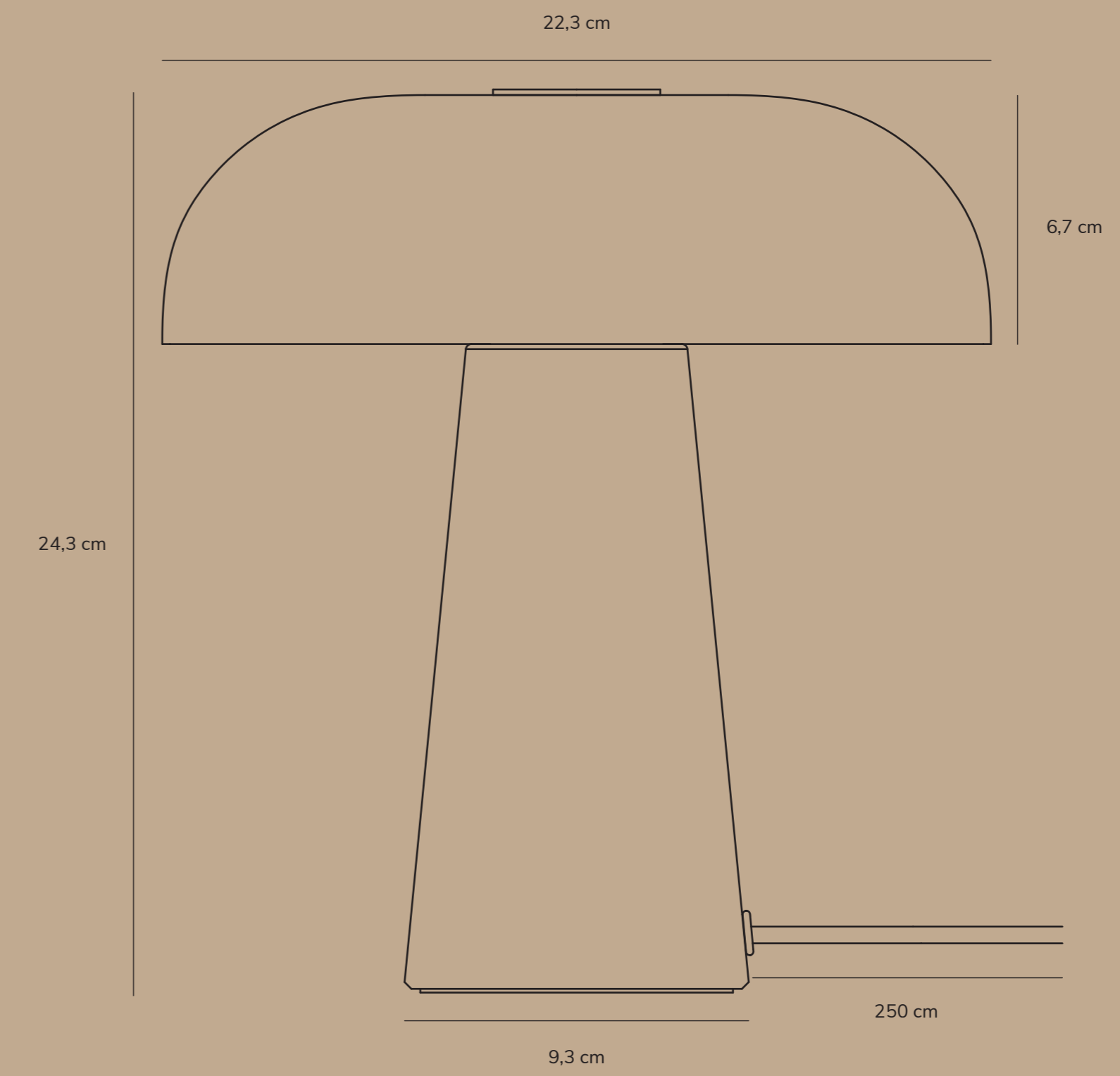
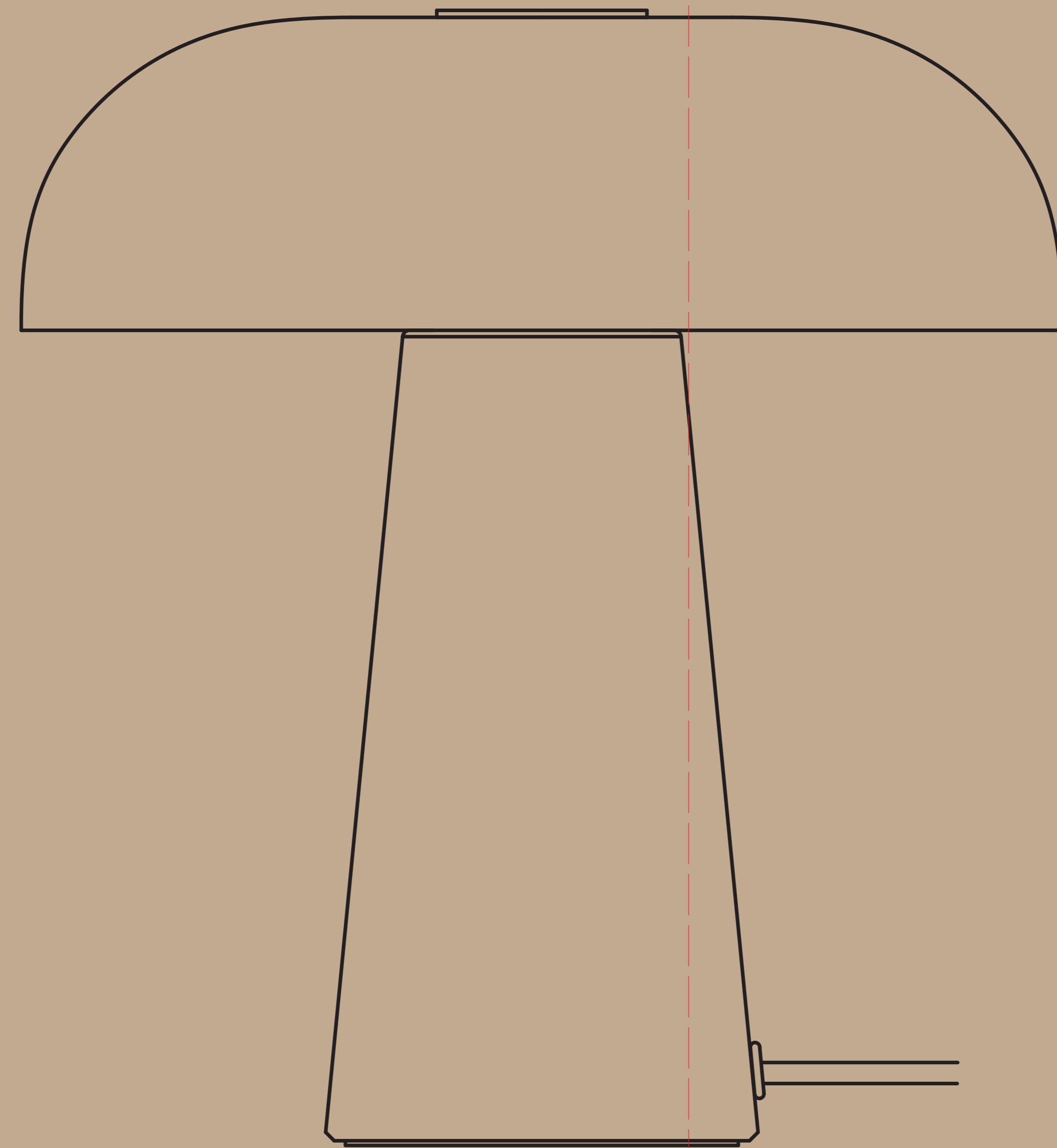
By Maria Berntsen

GLOSSY MINI

By Maria Berntsen

GLOSSY MINI

By Maria Berntsen



With her own design studio in Copenhagen, Maria Berntsen has since 1992 focused on architecture and design.

Maria Berntsen is a well-established name in the design industry and has over the years collaborated with a wide range of Danish and international companies, where her extensive experience has resulted in many successful designs.

"At the start of a new project, I look for an idea with nerve, functionality and identity. By modelling and visualizing, I test the idea, how it might be used, and its presence.

Good design communicates and establishes a dialogue with the receiver. Design is not just about functionality – it is as much about the emotional connection and impact. To me, success is when my design brings joy in the everyday lives of people"

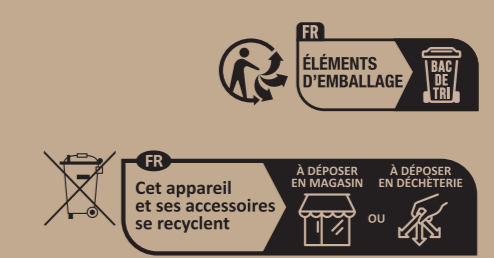
Maria Berntsen



GLOSSY MINI

By Maria Berntsen

Item number 2520015057
Color Pink Jade
Material Marble/Opal glass/Brushed steel
IP Class IP20-for indoor use, Class II
Voltage 220-240V ~ 50/60Hz
Cable Textile cable, White, 250 cm non replaceable
Light source E14, Max. 15W, Excl. light source



Model: G1
Line: 23, Overall Color
87 100, Overall Length: 250
0200422777
A402550024 HT

Weight & Volume - Outer Color Box (G1)	Net Weight - Color Box (G1)
42 x 33.5 x 17.5cm	90g
Weight & Volume - Outer Color Box (G2)	Net Weight - Color Box (G2)
40	110g (G2)

150

315

150

315

430