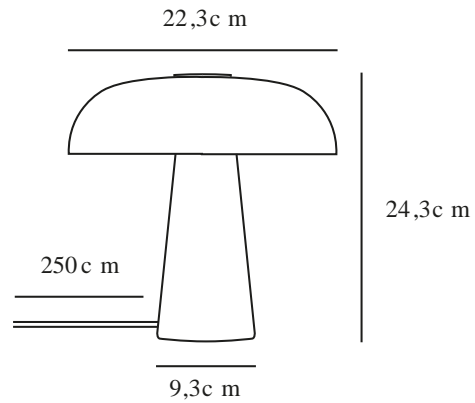


GLOSSY MINI | TABLE LAMP | PINK

2520015057



Voltage (V): 220-240 Volt
IP degree: IP20
Maximum bulb wattage (W): 15
Class (Class 1, Class 2, Class 3):
Class 2 (Double isolated)
Socket type: E14
Switch placement: On the cable
Parallel connection: False

Primary material: Pink Jade
Secondary material: Glass
Colour of the cable: White
Length of the cable (cm): 250
Surface material of the cable:
Textile
Is the cable replaceable: False
Colour: Pink

Height (cm): 24.3
Width (cm): 22
Shade Diameter (cm): 22.3
Outdoor base dimension (cm): 9.3
Length (cm): 22.3

EAN: 5704924024009
Item Number: 2520015057
Pcs Per Master Carton: 3

Sales Box Height (cm): 43
Sales Box Width (cm): 31.5
Sales Box Depth (cm): 15
Sales Box Volume m³: 0.0203
Product net weight (kg): 2.846

- Sophisticated minimalist design • Exclusive jade, glass and brushed brass
- Soft, diffused light through the opalised glass • A miniature version that is perfect for smaller spaces

Glossy is the epitome of tasteful and sophisticated design. Danish designer Maria Berntsen has created a "mini version" of the classic table lamp that oozes Nordic minimalism, and where exclusive materials like jade, brass and opal white glass all contribute to an incredibly elegant design. Glossy takes its name from the shiny surface of the opal white glass, which lets a soft and pleasant light shine through.

Pink jade is a rare variety of jade and therefore lines, colours and patterns may vary from lamp to lamp. This is part of the charm of working with natural materials.