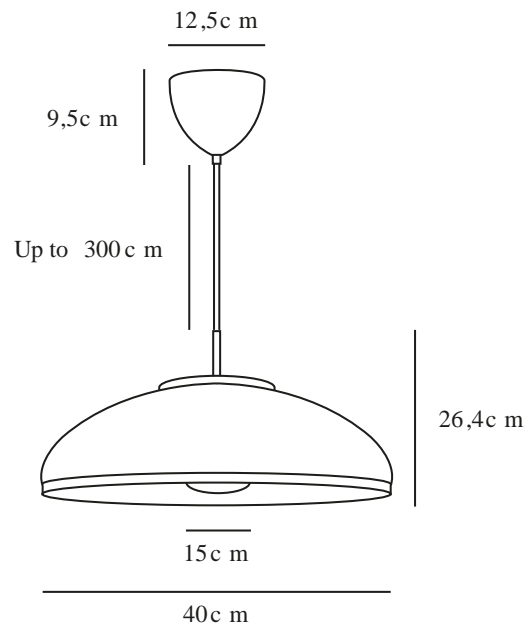


LATIF | PENDANT | BLACK

2520123003



Voltage (V): 220-240 Volt
IP degree: IP20
Maximum bulb wattage (W): 25 W
Class (Class 1, Class 2, Class 3):
Class 2 (Double isolated)
Socket type: E14
Parallel connection: False

Height (cm): 26.4
Shade Diameter (cm): 40
Length (cm): 40
EAN: 5704924024092
Item Number: 2520123003
Pcs Per Master Carton: 2

Sales Box Height (cm): 46.5
Sales Box Width(cm): 46.5
Sales Box Depth (cm): 23.5
Sales Box Volume m³ : 0.0508
Product net weight (kg): 1.86

Primary material: Metal
Secondary material: Glass
Colour of the cable: Black
Length of the cable (cm): 300
Surface material of the cable:
Textile
Is the cable replaceable: False
Colour: Black

- Mixed materials – opal glass, brass and rough metal
- Modern and elegant design
- Soft and glare-free light

Latif is a modern and elegant pendant light designed the Danish design duo Anker Studio. The shade is made of textured metal with brushed brass details. The round opal diffuser ensures a soft and glare-free light, making it perfect for above the dining table to create a pleasant light.