

**TAKAI 30**

by Studio Mavro / Lefevre by Sofie Lefevre

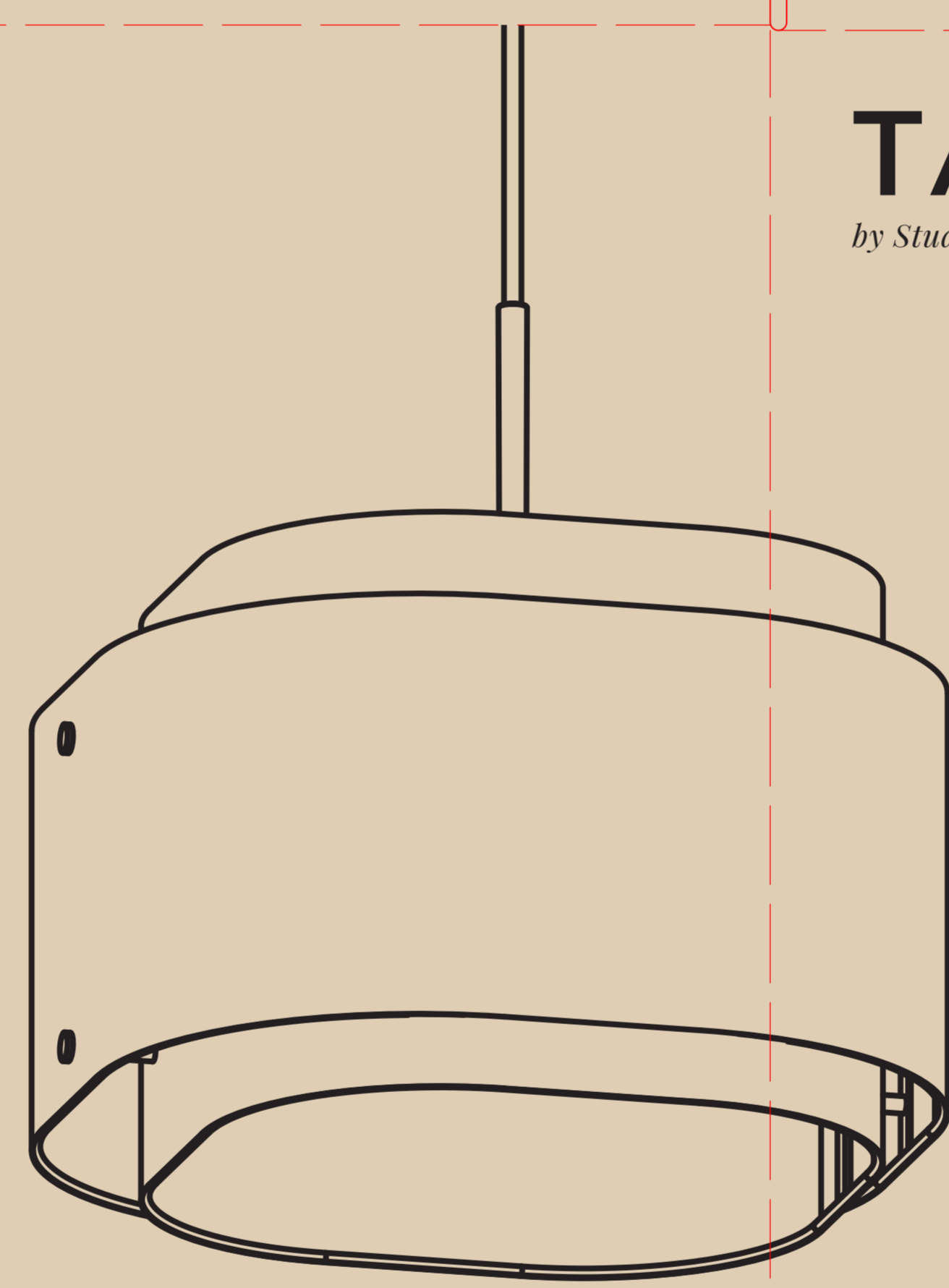
Studio Mavro/Lefevre by Sofie Lefevre  
Sofie Lefevre finished her Design degree at the Royal College of Art in London and has since then worked passionately with lighting designs inspired by elements from history, architecture and nature.  
Working with lighting comes naturally to Sofie. She understands and emphasizes the impact light has on our lives and is fascinated by the way light can change the interior: "I find it very interesting working with atmospheres created by light. There are so many aspects where my inner child can be released, playing with angles, materials and openings to create the wanted reflection or diffusion of light."



Studio Mavro / Lefevre by Sofie Lefevre

**TAKAI 30**

by Studio Mavro / Lefevre by Sofie Lefevre



Number 02  
140123 - 0200003018  
Mavro 000 075  
0101000277  
A40 11010000147

**TAKAI 30**

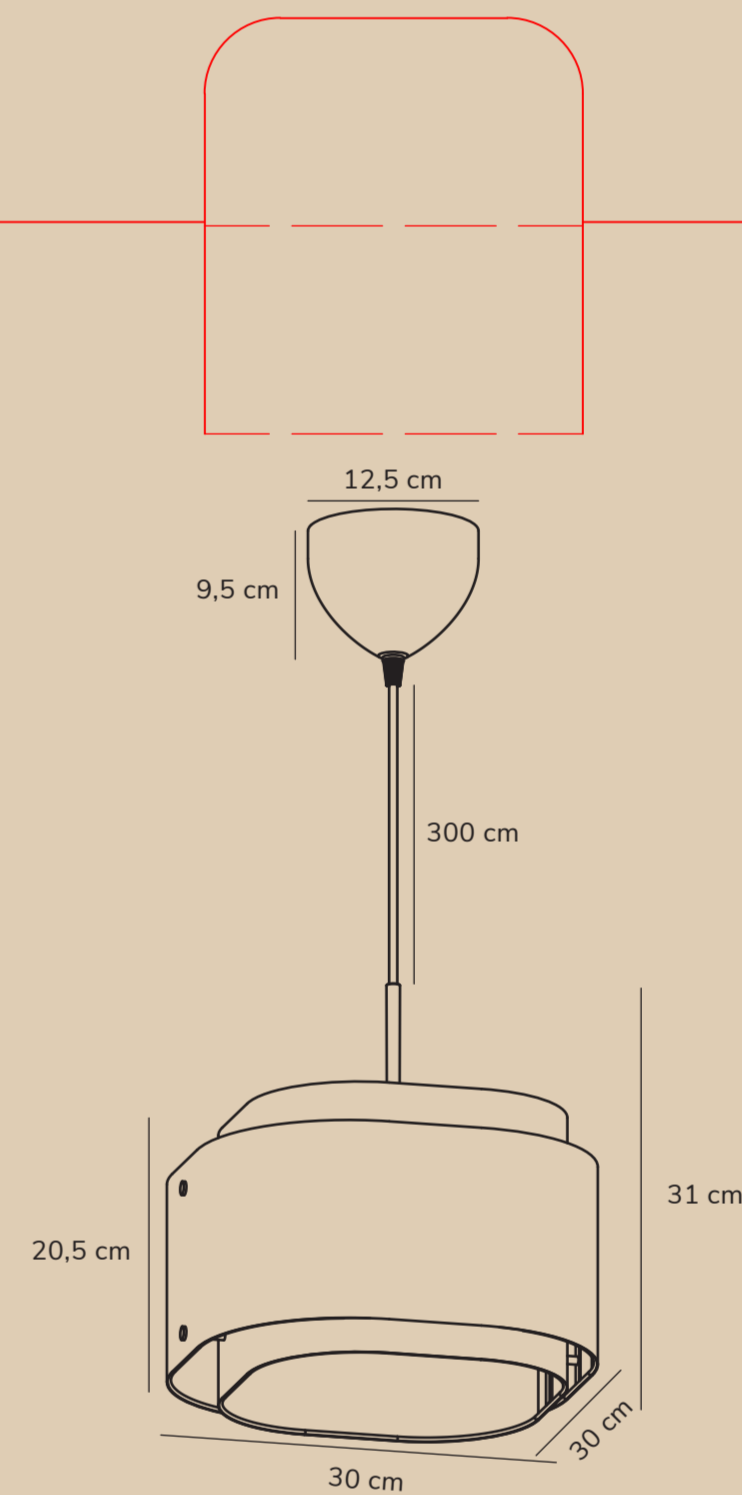
by Studio Mavro / Lefevre by Sofie Lefevre



**TAKAI 30**

by Studio Mavro / Lefevre by Sofie Lefevre

Item number 2020003018  
Color Brown  
Material Metal/Fabric  
IP Class IP20, indoor use, class II  
Voltage 220-240V ~50/60Hz  
Cable White textile, 300 cm non-replaceable  
Light source Excl. E27, LED Max. 15W



Weight	Volume	Color	Box Size
24.9	0.1	0.1	0.1
24.9	0.1	0.1	0.1
0.1	0.1	0.1	0.1