

240

# TAKAI

by Studio Macro//Lefèvre by Sofie Lefèvre

Studio Macro/Lefèvre by Sofie Lefèvre  
Sofie Lefèvre finished her Design degree at the Royal College of Art in London and has since then worked passionately with lighting designs inspired by elements from history, architecture and nature.

Working with lighting comes naturally to Sofie. She understands and emphasizes the impact light has on our lives and is fascinated by the way light can change the interior: "I find it very interesting working with atmospheres created by light. There are so many aspects where my inner child can be released, playing with angles, materials and openings to create the wanted reflection or diffusion of light."

Studio Macro//Lefèvre by Sofie Lefèvre

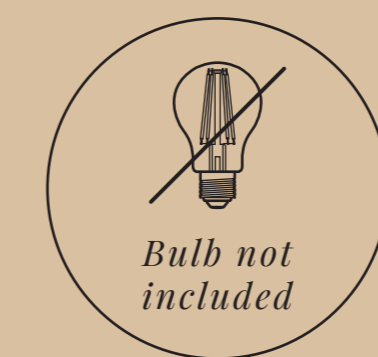
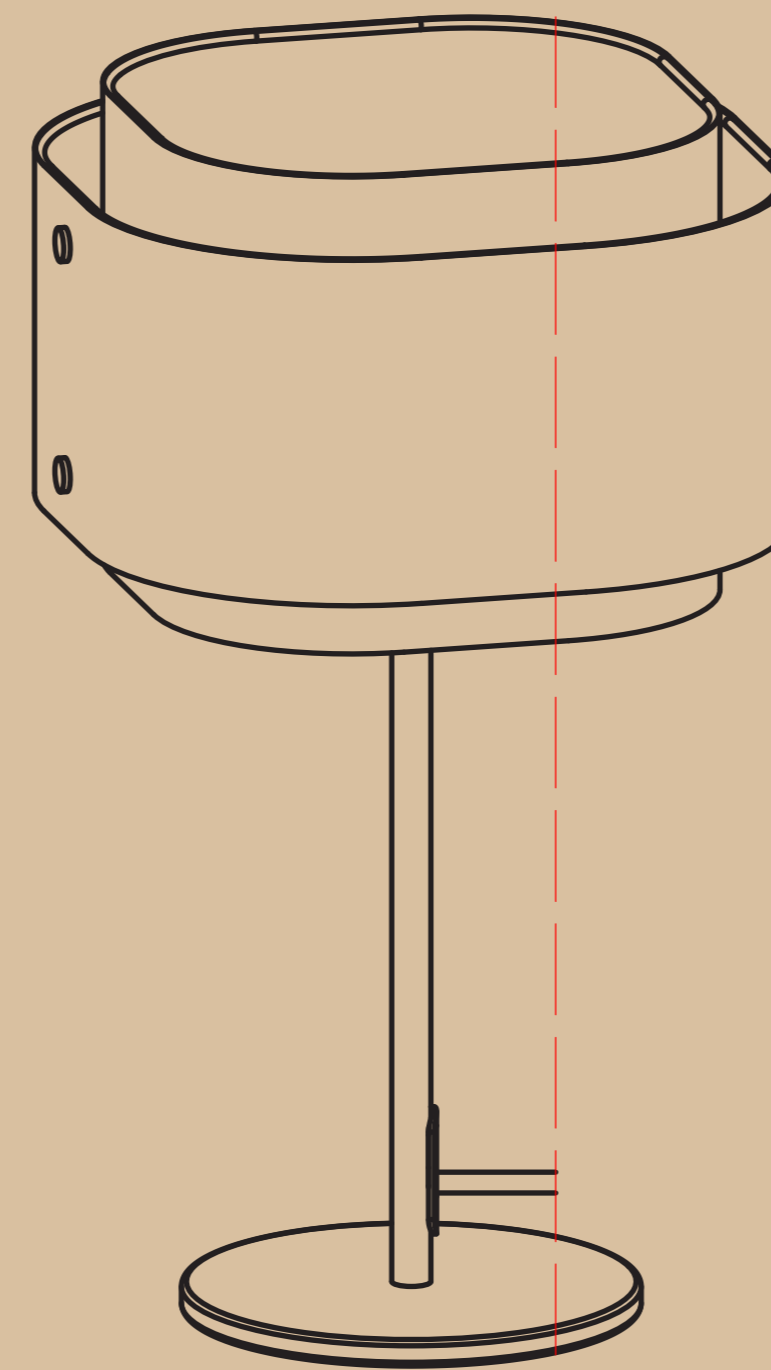
# TAKAI

by Studio Macro//Lefèvre by Sofie Lefèvre

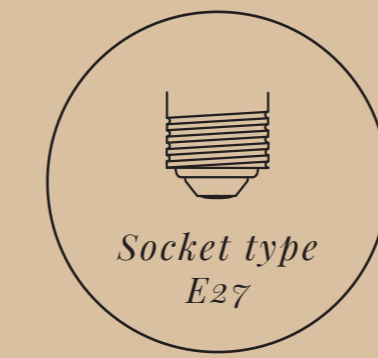


# TAKAI

by Studio Macro//Lefèvre by Sofie Lefèvre



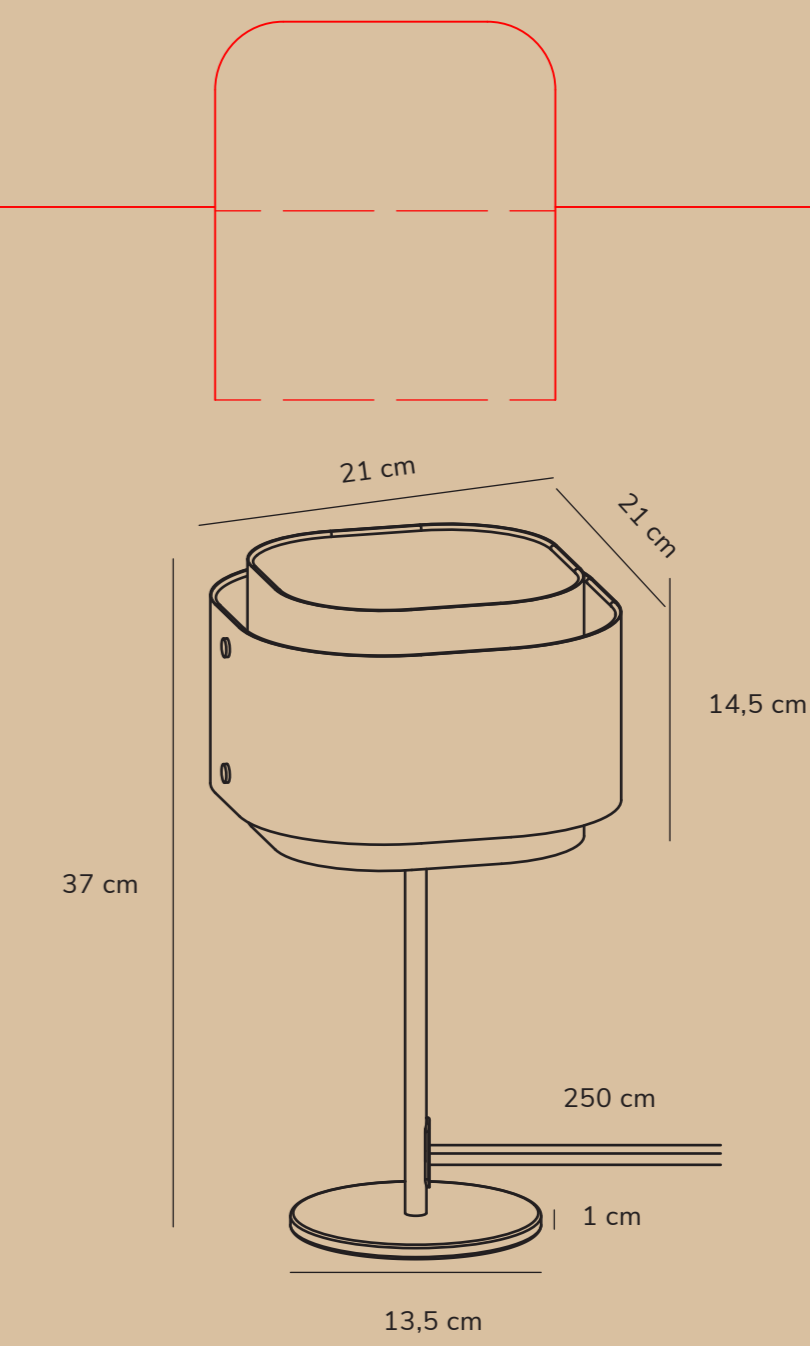
Bulb not included



Socket type E27



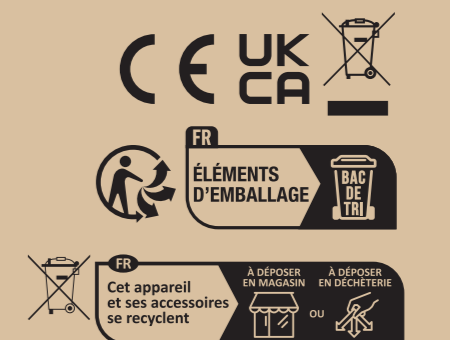
LED Max wattage



# TAKAI

by Studio Macro//Lefèvre by Sofie Lefèvre

**Item number** 2620015018  
**Color** Brown  
**Material** Metal/Fabric  
**IP Class** IP20, indoor use, class II  
**Voltage** 220-240V ~50/60Hz  
**Cable** White textile, 250 cm non replaceable  
**Switch** On the socket  
**Light source** Excl. E27, LED Max. 15W



www.dftpglobal.com



Studio: F&F  
Unit 85, Salsford Drive  
Altrincham, M26 5YE  
01204422777  
AAD-11033026-HT

Height x Width x Depth COLOR BOX (CM)	NET WEIGHT COLOR BOX (KG)
24 x 24 x 24 CM	KG
GROSS WEIGHT COLOR BOX (KG)	VOLUME COLOR BOX (CBM)
KG	0.0138 CBM

240

240

240

240

30