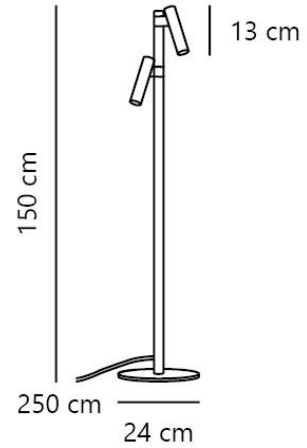
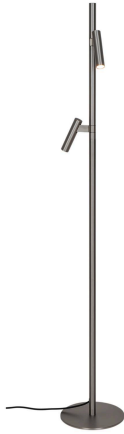


# MAKOTO | FLOOR LAMP | SATIN CHROME

2620094033

nordlux®



Item Number: 2620094033  
EAN: 5704924026737

Colour: Satin chrome  
Primary material: Aluminium  
Secondary material: Metal  
Colour of the cable: Black  
Length of the cable (cm): 250  
Surface material of the cable: Textile  
Is the cable replaceable: No

IP degree: IP20  
Socket type: G9  
Class (Class 1, Class 2, Class 3):  
Class 2 (Double isolated)  
Parallel connection: No  
Switch placement: On the cable  
Voltage (V): 220-240 Volt  
Maximum bulb wattage (W): 5  
Height (cm) : 150  
Tube Diameter (cm): 2.5  
Shade Diameter (cm): 3

Shade Height (cm): 13  
Tilt Angle (°): 30  
Turning Angle (°): 120  
  
Pcs Per Master Carton: 2  
Sales Box Height (cm): 56  
Sales Box Width(cm): 27  
Sales Box Depth (cm): 7.5  
Sales Box Volume m<sup>3</sup> : 0.0113  
Product net weight (kg): 3.126

## Slim and minimalist design • Adjustable lamp heads

Makoto is a sleek and minimalist floor lamp designed by Danish Nital Studio. The minimalist, vertical silhouette is finished in satin chrome – a warm, brushed chrome finish that adds a subtle softness to the industrial look. The two adjustable lamp heads provide flexible and directional light, making Makoto ideal for reading, working or highlighting selected areas.