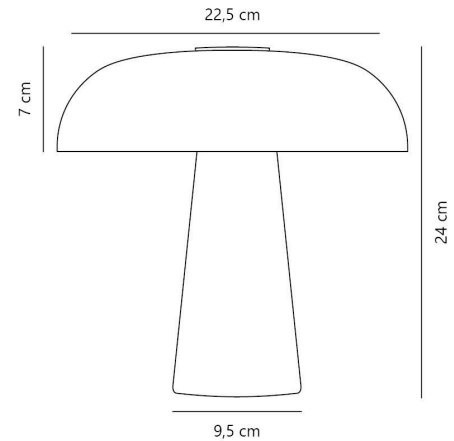


GLOSSY MINI PORTABLE | TABLE LAMP | BLACK

2620205003

nordlux®



Item Number: 2620205003
EAN: 5704924026867

Colour: Black
Primary material: Marble
Secondary material: Glass
Colour of the cable: Black
Length of the cable (cm): 150
Surface material of the cable: Plastic
Is the cable replaceable: Yes

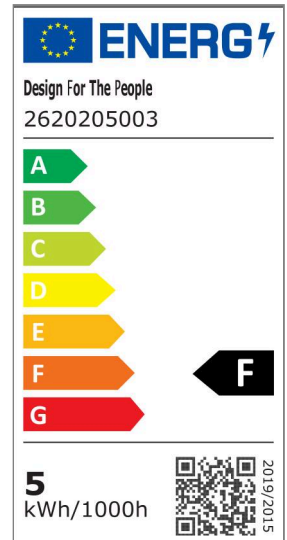
IP degree: IP20

Socket type: LED – Non-replaceable
light source
IK degree: IK00
Class (Class 1, Class 2, Class 3):
Class 3 (Low voltage)
Parallel connection: No
Switch placement: On the fixture
Voltage (V): 5 Volt
Height (cm) : 24
Shade Diameter (cm): 22.5
Shade Height (cm): 7
Length (cm): 22.5

Pcs Per Master Carton: 3
Sales Box Height (cm): 43.5

Sales Box Width(cm): 31.5
Sales Box Depth (cm): 15
Sales Box Volume m³ : 0.0206
Product net weight (kg): 2.3

Brightness of light (Lumen): 310
Colour temperature (Kelvin): 3000
Ra-value : 90
Lifetime (hours): 30000
Battery lasting time for each lumen:
310lm/7h; 125lm/19h; 30lm/60h
Battery recharging 0%-100% (h): 7.5
Energy class: F
Actual watt (W): 4.5



Portable • Exclusive marble, glass and burnished brass • 3-step Moodmaker™ dimming on the top plate • USB-C charging cable included • Long LED lifespan (30,000 hours)

Glossy is the epitome of tasteful and sophisticated design. Danish designer Maria Berntsen has created a portable lamp that exudes Nordic minimalism, combining exclusive materials such as marble, burnished brass and opal white glass. Now Glossy is also available in a portable and rechargeable version that maintains the refined look and gives you the freedom to place the light exactly where you need it. Marble is a unique natural material, and therefore lines, colours and patterns may vary from lamp to lamp. This is part of the charm of working with natural materials.