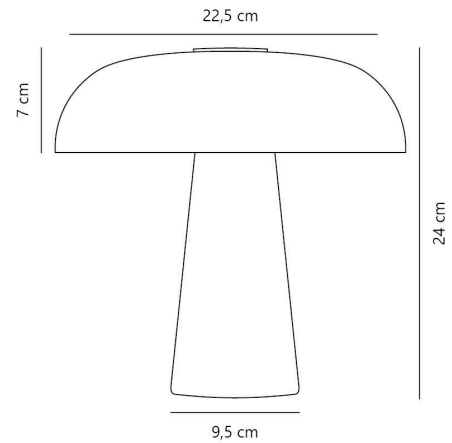


GLOSSY MINI PORTABLE | TABLE LAMP | GREY BROWN

2620205009

nordlux®



Item Number: 2620205009

EAN: 5704924026850

Colour: Grey-brown

Primary material: Marble

Secondary material: Glass

Colour of the cable: Black

Length of the cable (cm): 150

Surface material of the cable: Plastic

Is the cable replaceable: Yes

IP degree: IP20

Socket type: LED – Non-replaceable light source

IK degree: IK00

Class (Class 1, Class 2, Class 3):

Class 3 (Low voltage)

Parallel connection: No

Switch placement: On the fixture

Voltage (V): 5 Volt

Height (cm) : 24

Shade Diameter (cm): 22.5

Shade Height (cm): 7

Length (cm): 22.5

Pcs Per Master Carton: 3

Sales Box Height (cm): 43.5

Sales Box Width(cm): 31.5

Sales Box Depth (cm): 15

Sales Box Volume m³ : 0.0206

Product net weight (kg): 2.3

Brightness of light (Lumen): 310

Colour temperature (Kelvin): 3000

Ra-value : 90

Lifetime (hours): 30000

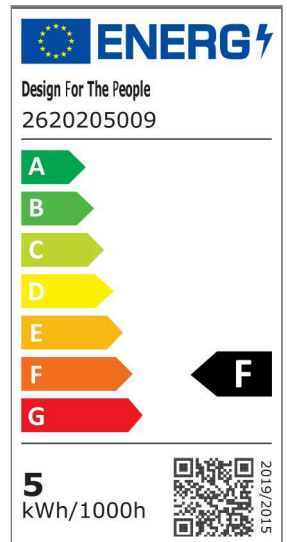
Battery lasting time for each lumen:

310lm/7h; 125lm/19h; 30lm/60h

Battery recharging 0%-100% (h): 7.5

Energy class: F

Actual watt (W): 4.5



Portable • Exclusive marble, glass and burnished brass • 3-step Moodmaker™ dimming on the top plate • USB-C charging cable included • Long LED lifespan (30,000 hours)

Glossy is the epitome of tasteful and sophisticated design. Danish designer Maria Berntsen has created a portable lamp that exudes Nordic minimalism, combining exclusive materials such as marble, burnished brass and opal white glass. Now Glossy is also available in a portable and rechargeable version that maintains the refined look and gives you the freedom to place the light exactly where you need it. Marble is a unique natural material, and therefore lines, colours and patterns may vary from lamp to lamp. This is part of the charm of working with natural materials.