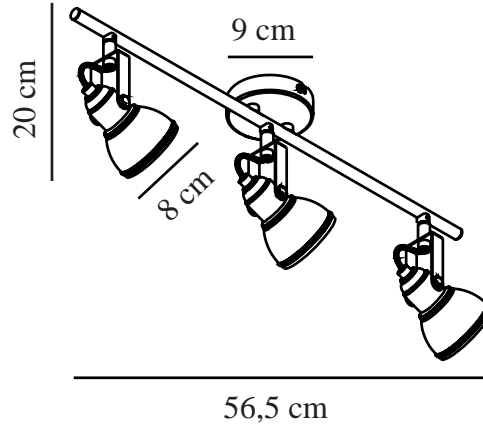


ASLAK 3-SPOT | SPOT LIGHT | BLACK

45740103

nordlux®



Voltage (V): 220-240 Volt
IP degree: IP20
Maximum bulb wattage (W): 35
Class (Class 1, Class 2, Class 3):
Class 2 (Double isolated)
Socket type: GU10
Dimmerable: Yes with compatible
bulb

Primary material: Metal
Secondary material: Plastic
Colour: Black

Height (cm) : 20
Shade Diameter (cm): 8
Lenght (cm): 56.5
Projection (cm): 20
EAN: 5701581369382
TUN: 1902463
Item Number: 45740103
Pcs Per Master Carton: 3

Sales Box Height (cm): 11
Sales Box Width(cm): 19
Sales Box Depth (cm): 60
Sales Box Volume m³ : 0.0125
Product net weight (kg): 0.77

- Industrial style • Tilting and turning shade
- Same colour inside as outside • Can be used on both wall and ceiling

The Aslak series has a style that is both modern and industrial, arising from the shape, the assembly and the aesthetic details. Aslak has a pleasant light-emitting surface that offers an effective and beautiful light - perfect for rooms that need good lighting that can be directed.

Elegant and practical spotlight fixture with three spotlights in black. This spotlight can be placed in different locations in the home and create focus or cosiness depending on how it is placed.