

IP SERIES

nordlux®

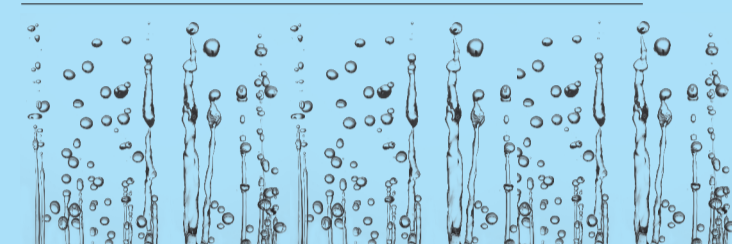
IP means International Protection and is used in connection with the material's protection class. IP is stated with 2 numbers (e.g. IP20) to say how safe the material is in connection with water penetration and the penetration of dust and solid objects. Materials are divided into protection classes that state – partly the protection of the material itself against penetration of foreign objects and water – and partly the protection of people who touch dangerous parts. The first number always states the degree of protection against foreign objects penetrating the material, but at the same time it states a certain smallest degree of protection of people who touch dangerous parts. The second number states the degree of protection from water penetrating the material.

IP_{S6}

designed by
Bønnelycke mdd

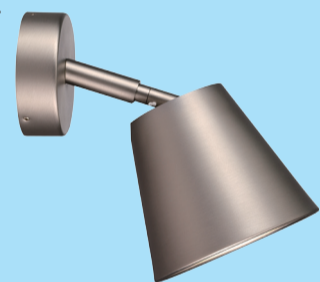
Suitable for Indoor use
Features

M



IP SERIES

nordlux®



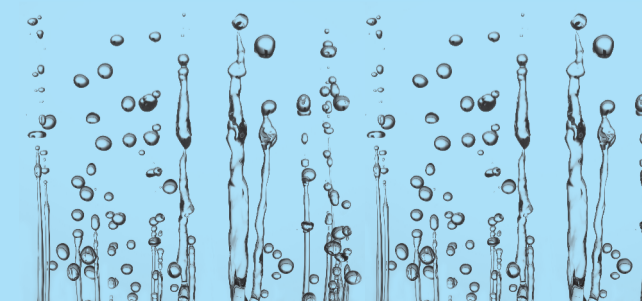
IP means International Protection and is used in connection with the material's protection class. IP is stated with 2 numbers (e.g. IP20) to say how safe the material is in connection with water penetration and the penetration of dust and solid objects. Materials are divided into protection classes that state – partly the protection of the material itself against penetration of foreign objects and water – and partly the protection of people who touch dangerous parts. The first number always states the degree of protection against foreign objects penetrating the material, but at the same time it states a certain smallest degree of protection of people who touch dangerous parts. The second number states the degree of protection from water penetrating the material.

IP_{S6}

designed by
Bønnelycke mdd

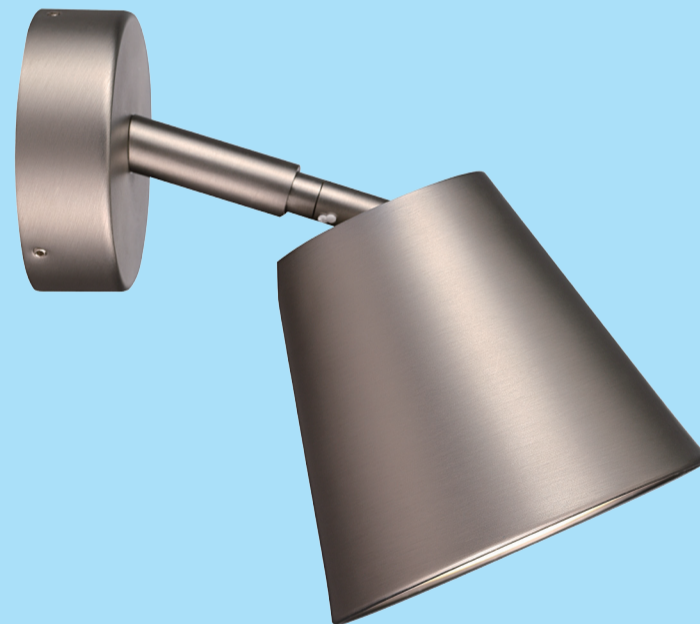
Suitable for Indoor use
Features

M



IP SERIES

nordlux®



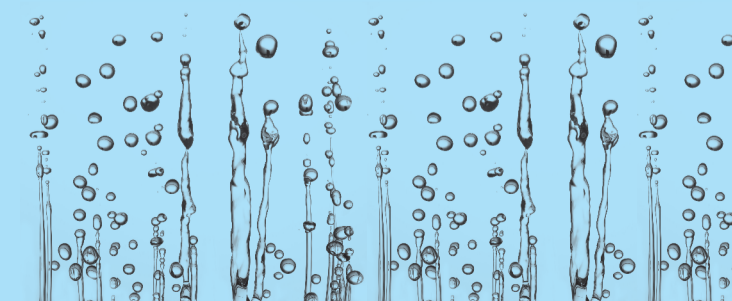
IP means International Protection and is used in connection with the material's protection class. IP is stated with 2 numbers (e.g. IP20) to say how safe the material is in connection with water penetration and the penetration of dust and solid objects. Materials are divided into protection classes that state – partly the protection of the material itself against penetration of foreign objects and water – and partly the protection of people who touch dangerous parts. The first number always states the degree of protection against foreign objects penetrating the material, but at the same time it states a certain smallest degree of protection of people who touch dangerous parts. The second number states the degree of protection from water penetrating the material.

IP_{S6}

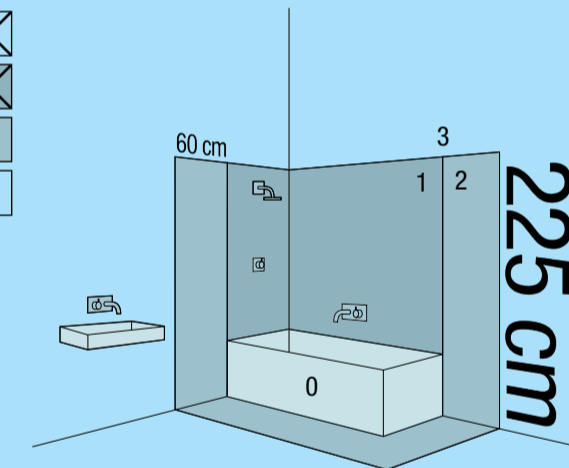
designed by
Bønnelycke mdd

Suitable for Indoor use
Features

M



ZONE



nordlux®

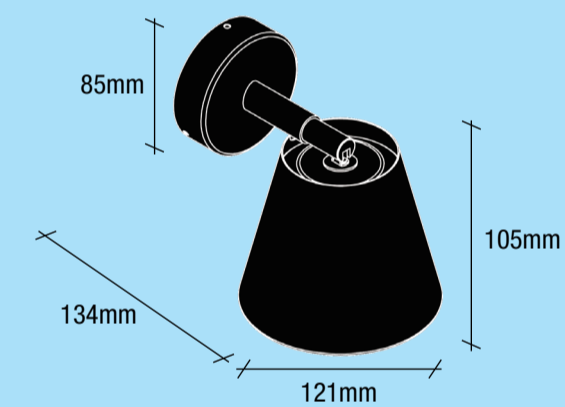


IP_{S6}

designed by
Bønnelycke mdd

Suitable for Indoor use
Features

M



IP S6

Dessin: 78531032

Db: 1694080

Børstet Stål / Gebürsteter Stahl

Brushed Steel / Borstat Stål

Acier Brossé

IP44 GU10

MAX 8W LED **M**

230V

CE Indoor

RECYCLE SYMBOL Zone 2+3

Metal

Metal

Metall

Métal

Metal

Dobbelt isoleret (kl. 2)

Doppelte isolierung

Double insulation

Dubbel isolering

Double protection

Egnet til indendørs brug

Geignet für Innen

Suitable for Indoor

Lämplig att användas inomhus

Indiqué pour usage intérieur

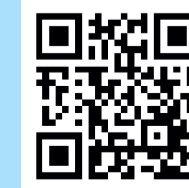
Velegnet til badeværelses: Zone 2+3

Geignet für Badezimmer: Zone 2+3

Suitable for bathroom: Zone 2+3

Lämplig till att användas i badrum: Zon 2+3

Indiqué pour usage et salle de bains: Zone 2+3

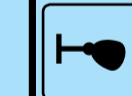


QR CODE

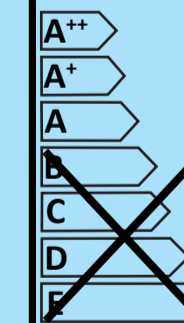
As a leading Scandinavian lighting supplier we are naturally committed to shouldering our part of the responsibility for solving national and global challenges. We do this under the heading 'A Brighter World'.

nordlux®

nordlux® 78531032



This luminaire is compatible with bulbs of the energy classes:



874/2012



www.nordlux.com

Nordlux AS • Kattvegveien 8 • DK-5000 Halden • NO



5 701581 275089