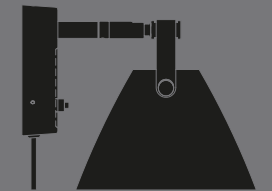


design
for the
people

nordlux



STRAP 15

Dessin: 84291001
Dt: 1695589
Hvid/Vit
Blanc

design
for the
people

nordlux



2xLEATHER
STRAPS
INCLUDED

STRAP 15
designed by
Bjørn+Balle

design
for the
people

nordlux



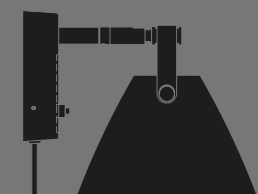
2xLEATHER
STRAPS
INCLUDED

STRAP 15
designed by
Bjørn+Balle

design
for the
people

nordlux

"Design For The People
is a vision of creating
cool design products at
a price everyone can
afford. Design with a
Nordic twist intended
for people all over the
world."



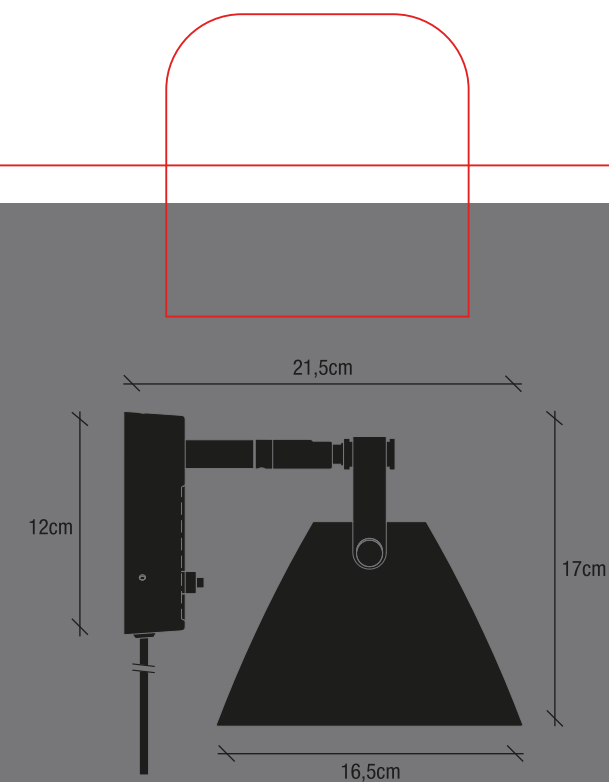
STRAP 15
designed by
Bjørn+Balle

Bjørn + Balle is a collaboration
between designers Christian
Bjørn and Rune Balle. The
designers have through their
collaboration, created a series
of visionary products that com-
bine the Scandinavian design
tradition with contemporary
trends and technologies.



design
for the
people

nordlux



STRAP 15

Dessin: 84291001
Dt: 1695589
Hvid/Vit
White/Vit
Blanc

IP20



Double insulation
Double insulation
Double insulation
Double protection

230V



Complies with CE mark
Complies with CE mark
Complies with CE mark
Complies with CE mark

GU10



M/L
M/L
M/L
M/L

MAX
8W



Lighting temp: 1800 K
Lighting temp: 1800 K
Lighting temp: 1800 K
Lighting temp: 1800 K

CE



RoHS
RoHS
RoHS
RoHS

RECYCLED



RoHS
RoHS
RoHS
RoHS

www.dftp.dk



AAD: 15082019 XY

Height x Width x Depth COLOR BOX (CM)	NET WEIGHT COLOR BOX (KG)
27.2x19.5x19.5	0.13
GROSS WEIGHT COLOR BOX (KG)	VOLUME COLOR BOX (CBM)
1.35	0.01

NET WEIGHT COLOR BOX (KG)	VOLUME COLOR BOX (CBM)
0.13	0.01
VOLUME COLOR BOX (CBM)	NET WEIGHT COLOR BOX (KG)
0.01	0.13