



# STRAP 15

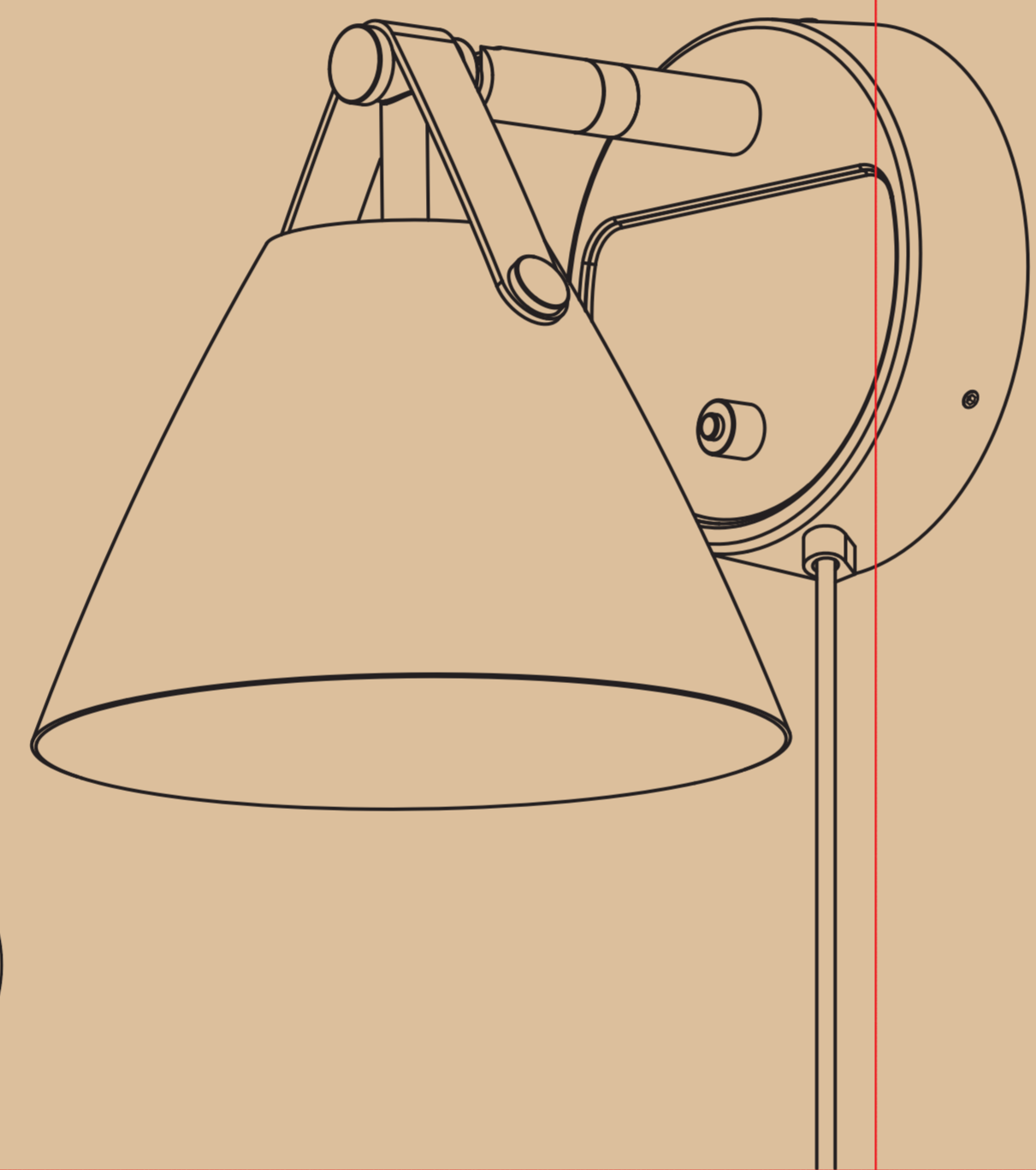
by Bjørn+Balle

# STRAP 15

by Bjørn+Balle

# STRAP 15

by Bjørn+Balle



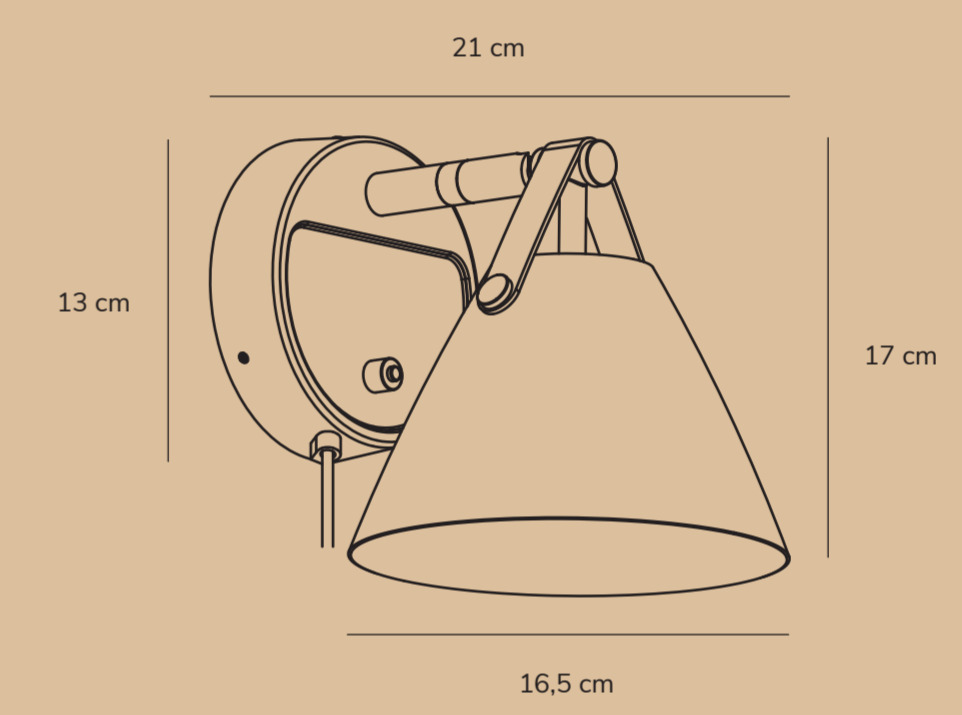
Socket type  
GU10



Bulb not  
included



8  
Max  
wattage



## STRAP 15

by Bjørn+Balle

- Item number 84291003
- Color Black
- Material Metal/Leather
- IP Class IP20, indoor use, class II
- Voltage 220-240V ~50/60Hz
- Cable Black textile, 180 cm replaceable
- Light source Excl. GU10, Max. 8W
- Switch On the base



The designers combine minimalistic Scandinavian design with international trends. It's about image creation and recognizability. The overall identity of the product is its form, function, details, structure and materials, which all comes together. A product never stands alone but is part of an environment where the story being told supports the design.

BJØRN + BALLE have both carried out a large number of design tasks for both national and international clients at many different areas, such as product design, furniture design, interior design, identity programs and exhibitions, and together they have great success with lighting design.

BJØRN + BALLE has delivered a wide range of innovative technical solutions for the industry, as well as beautifully designed products for the consumer market.

*Bjørn + Balles*  
Bjørn + Balles



Aeroflex UK  
Unit B3, Sykeside Drive  
Aldershot, GU11 5YU  
01200422777  
AAD: 31032026 HT

Height x Width x Depth COLOR BOX (CM)	21x17x13CM	NET WEIGHT COLOR BOX (KG)	0.083
GROSS WEIGHT COLOR BOX (KG)	0.100	VOLUME COLOR BOX (CBM)	0.003

190

190

190

190

230