

195*195*272MM



STRAP 15

by Bjørn+Balle

STRAP 15

by Bjørn+Balle

STRAP 15

by Bjørn+Balle

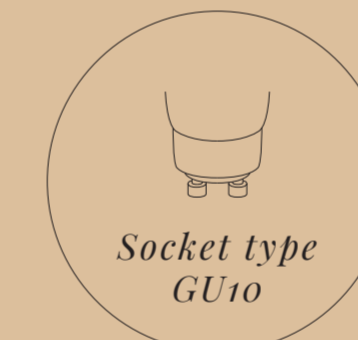
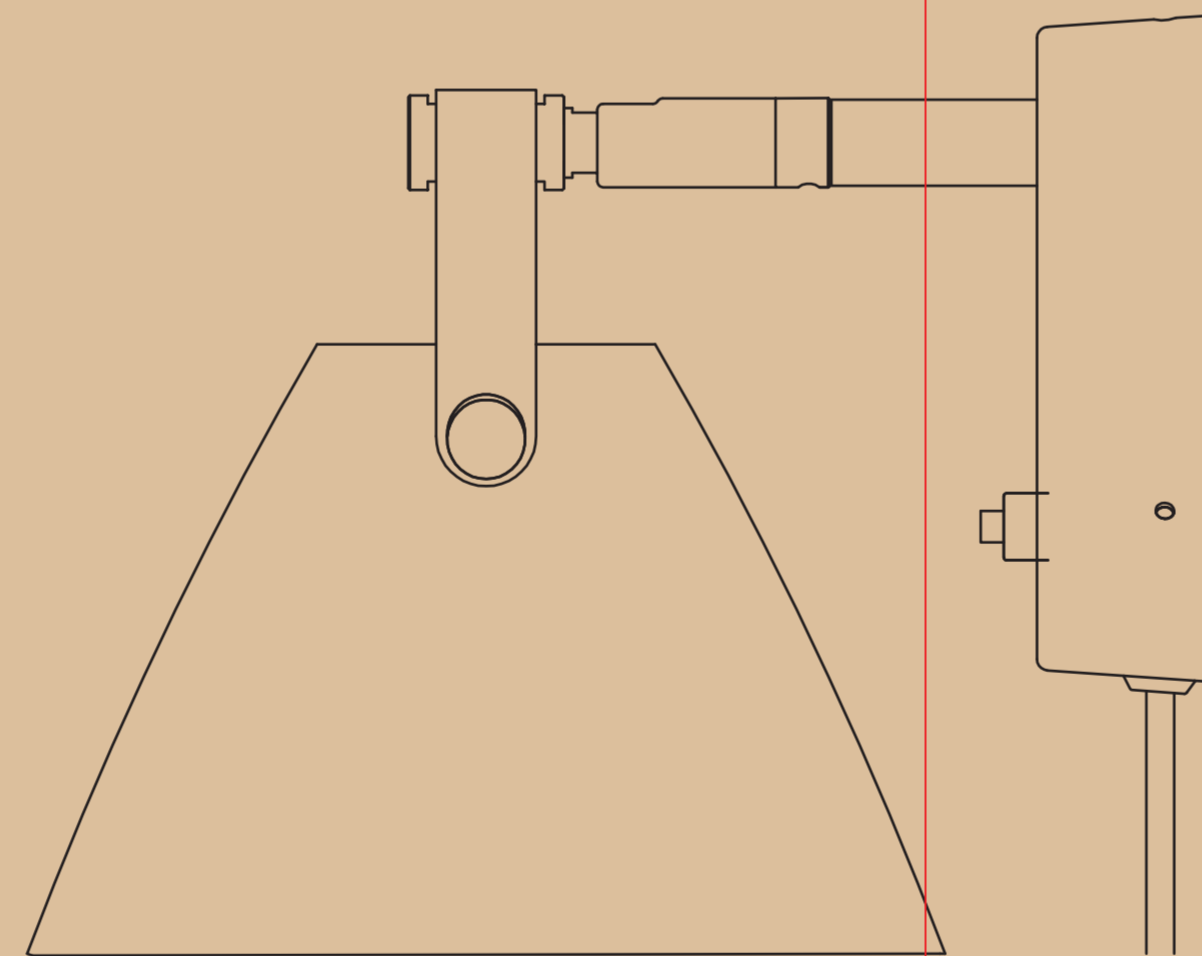
The designers combine minimalistic Scandinavian design with international trends. It's about image creation and recognizability. The overall identity of the product is its form, function, details, structure and materials, which all comes together. A product never stands alone but is part of an environment where the story being told supports the design.

BJØRN + BALLE have both carried out a large number of design tasks for both national and international clients at many different areas, such as product design, furniture design, interior design, identity programs and exhibitions, and together they have great success with lighting design.

BJØRN + BALLE has delivered a wide range of innovative technical solutions for the industry, as well as beautifully designed products for the consumer market.

Bjørn + Balle

Bjørn + Balle



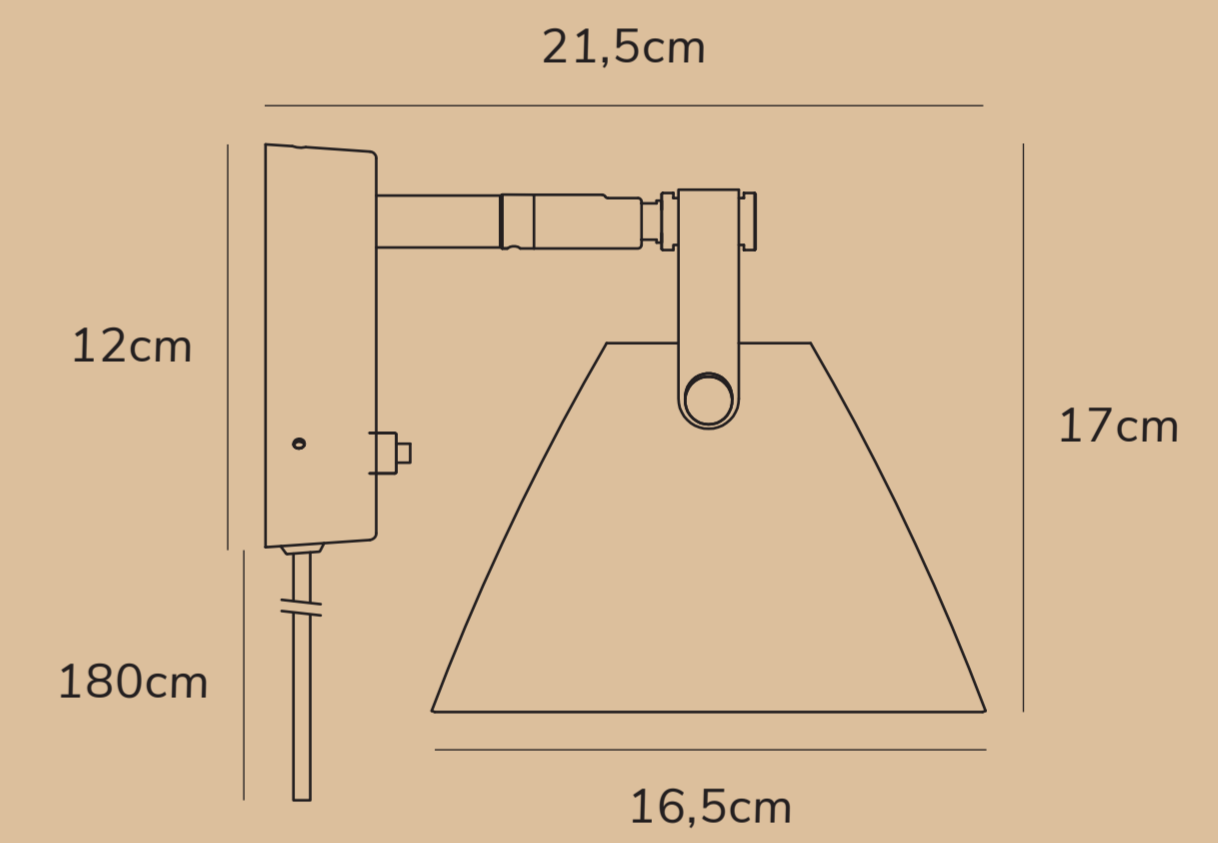
Socket type
GU10



Bulb not
included



Max
wattage



STRAP 15

by Bjørn+Balle

Item number 84291003
Color Black
Material Metal
IP Class IP20-for indoor use, Class 2
Voltage 220-240V ~ 50/60Hz
Cable PVC cable:Black 180 cm non replaceable
Light source GU10,Max.8W Excl. light source



www.dfglobal.com



5 701581 364783

Nordlux UK
Unit 22, Darnley Court
B7 1QS, Chorley, Lancashire
0120422777
AAD.12082021.XY

Height x Width x Depth COLOR BOX (CM)	NET WEIGHT COLOR BOX (KG)
24.5x19x10CM	0.13KG
GROSS WEIGHT COLOR BOX (KG)	VOLUME COLOR BOX (CBM)
1.09KG	0.006