



STRAP 16

by Bjørn+Balle

The designers combine minimalistic Scandinavian design with international trends. It's about image creation and recognizability. The overall identity of the product is its form, function, details, structure and materials, which all comes together. A product never stands alone but is part of an environment where the story being told supports the design.

BJØRN + BALLE have both carried out a large number of design tasks for both national and international clients at many different areas, such as product design, furniture design, interior design, identity programs and exhibitions, and together they have great success with lighting design.

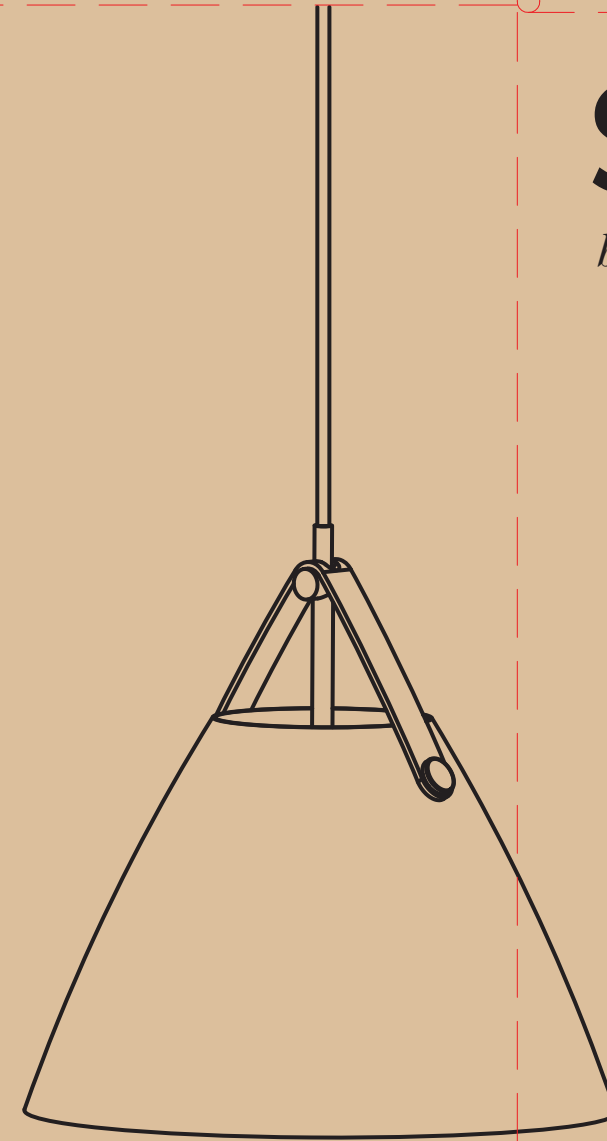
BJØRN + BALLE has delivered a wide range of innovative technical solutions for the industry, as well as beautifully designed products for the consumer market.

Bjørn + Balle

Bjørn + Balle

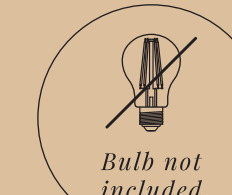
STRAP 16

by Bjørn+Balle



STRAP 16

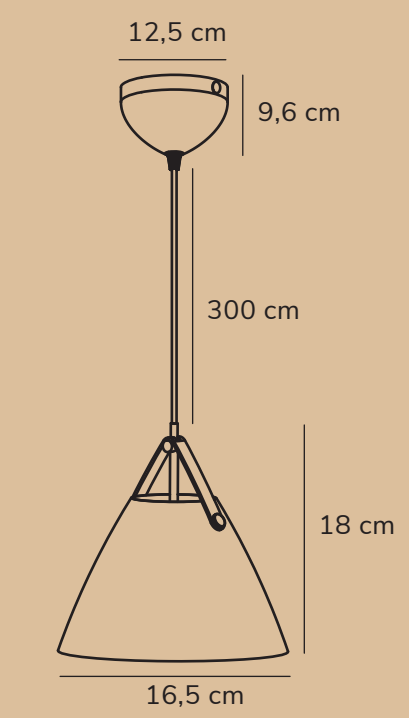
by Bjørn+Balle



STRAP 16

by Bjørn+Balle

Item number 84303001
 Color White
 Material Metal
 IP Class IP20-for indoor use, Class II
 Voltage 220-240V ~ 50/60Hz
 Cable Textile cable: White 300 cm non replaceable
 Light source GU10, Max.40W Excl. light source



www.dftpglobal.com



Height x Width x Depth COLOR BOX (CM)	NET WEIGHT COLOR BOX (KG)
161x19x192CM	KG
GROSS WEIGHT COLOR BOX (KG)	VOLUME COLOR BOX (CBM)
KG	0.0067

Nordflex Ltd
Unit 22, Deanfield Court
B7 1QS Coltshawe Lancashire
01206422777
AAD:01232024 XY

190

190

190

190

160