



STRAP 16

by Bjørn+Balle

The designers combine minimalistic Scandinavian design with international trends. It's about image creation and recognizability. The overall identity of the product is its form, function, details, structure and materials, which all comes together. A product never stands alone but is part of an environment where the story being told supports the design.

BJØRN + BALLE have both carried out a large number of design tasks for both national and international clients at many different areas, such as product design, furniture design, interior design, identity programs and exhibitions, and together they have great success with lighting design.

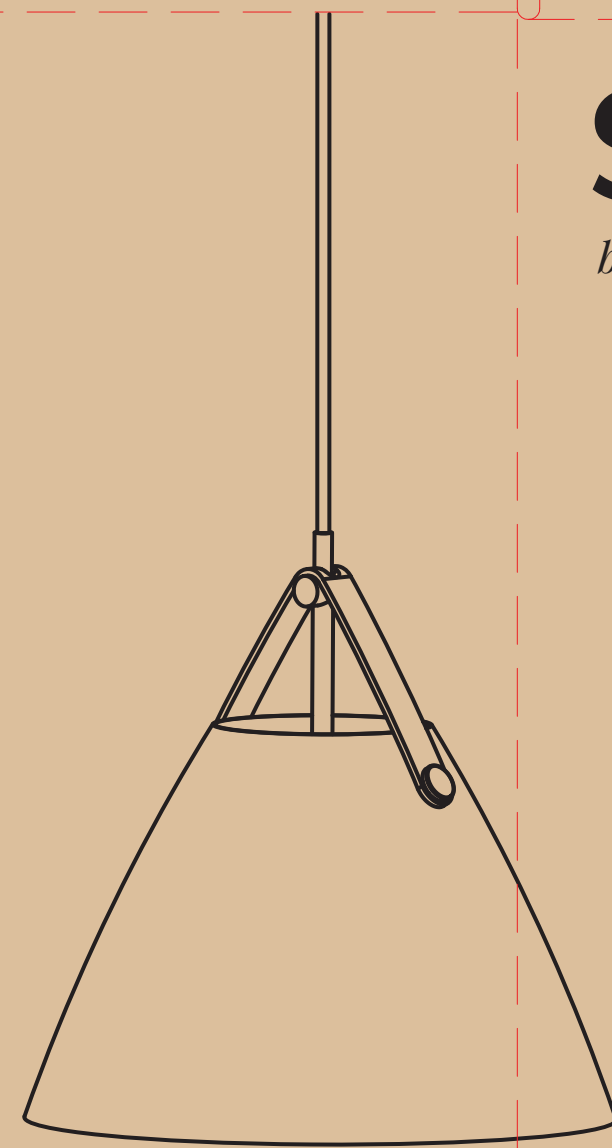
BJØRN + BALLE has delivered a wide range of innovative technical solutions for the industry, as well as beautifully designed products for the consumer market.

Bjørn + Balle

Bjørn + Balle

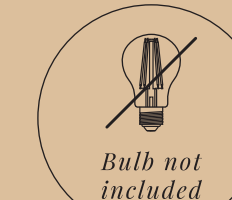
STRAP 16

by Bjørn+Balle



STRAP 16

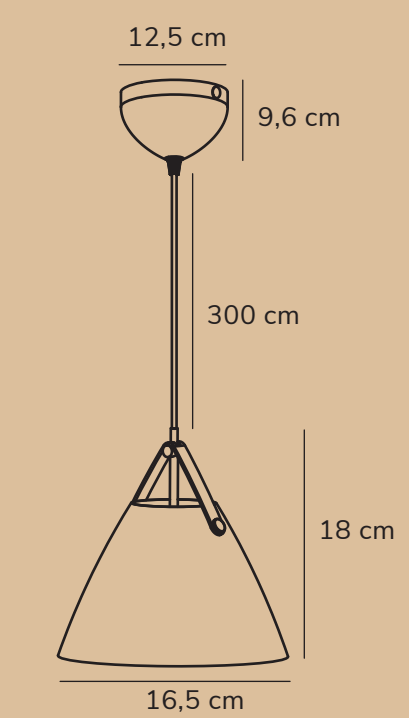
by Bjørn+Balle



STRAP 16

by Bjørn+Balle

- Item number 84303003
- Color Black
- Material Metal
- IP Class IP20-for indoor use, Class II
- Voltage 220-240V ~ 50/60Hz
- Cable Textile cable: Black 300 cm non replaceable
- Light source GU10, Max.40W Excl. light source



www.dftpglobal.com



Height x Width x Depth COLOR BOX (CM)	NET WEIGHT COLOR BOX (KG)
161x19x192CM	KG
GROSS WEIGHT COLOR BOX (KG)	VOLUME COLOR BOX (CBM)
KG	0.0067

Nordflex Ltd
Unit 22, Deanfield Court
87-105 Colshawe Lane
Cheshire
01206422777
AAD-03252024-HT

190

190

190

190

160