



STRAP 27

by Björn+Balle

The designers combine minimalistic Scandinavian design with international trends. It's about image creation and recognizability. The overall identity of the product is its form, function, details, structure and materials, which all comes together. A product never stands alone but is part of an environment where the story being told supports the design.

BJÖRN + BALLE have both carried out a large number of design tasks for both national and international clients at many different areas, such as product design, furniture design, interior design, identity programs and exhibitions, and together they have great success with lighting design.

BJÖRN + BALLE has delivered a wide range of innovative technical solutions for the industry, as well as beautifully designed products for the consumer market.

Björn + Balle

Björn + Balle

STRAP 27

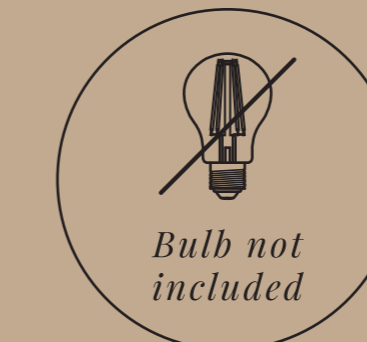
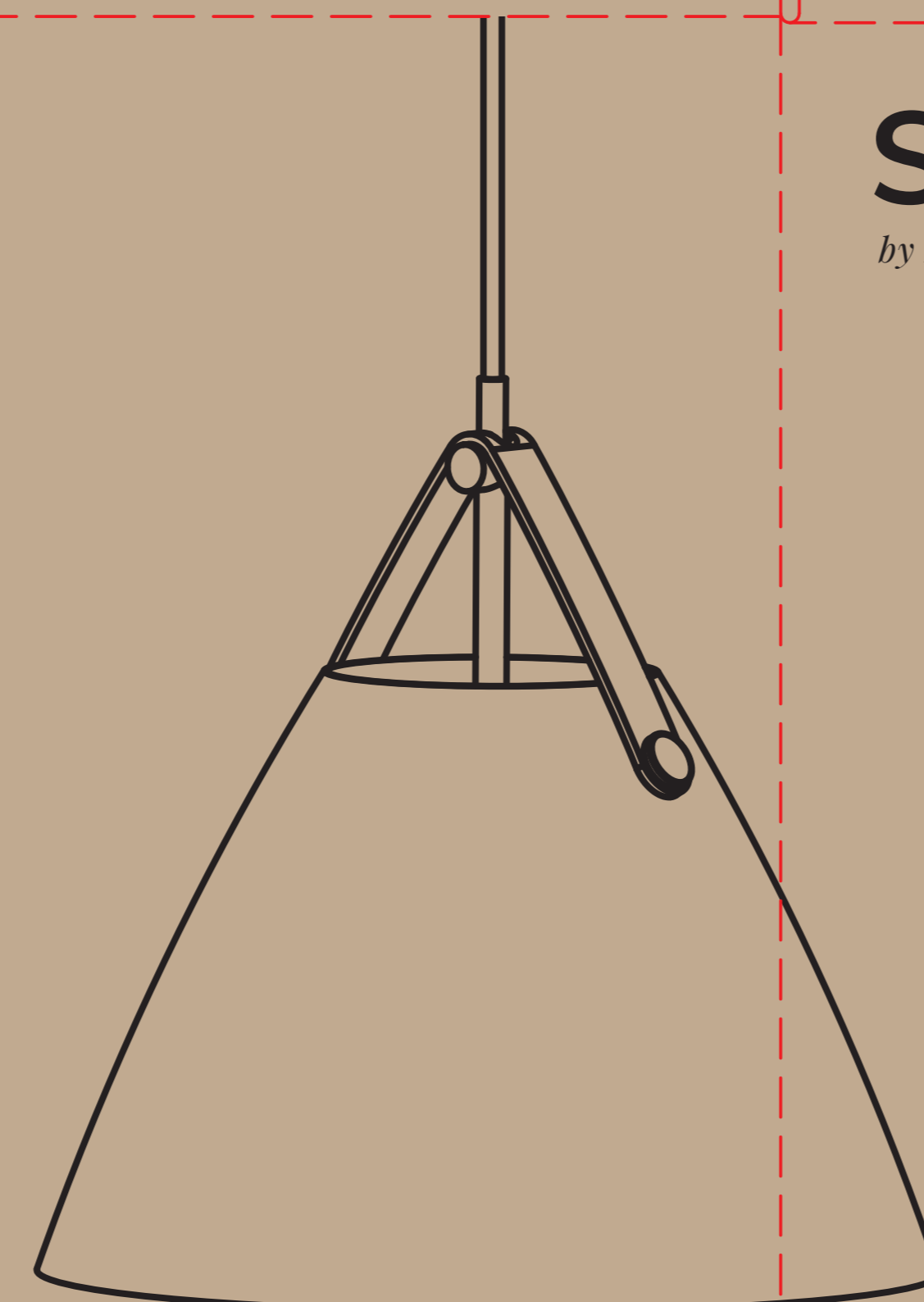
by Björn+Balle



Artikel ID: 84313001
EAN: 5701581337688
GTIN: 5701581337688
AUS: 1501628 HT

STRAP 27

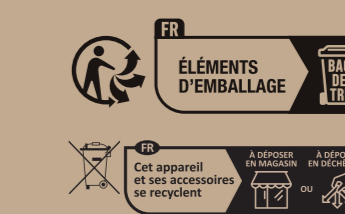
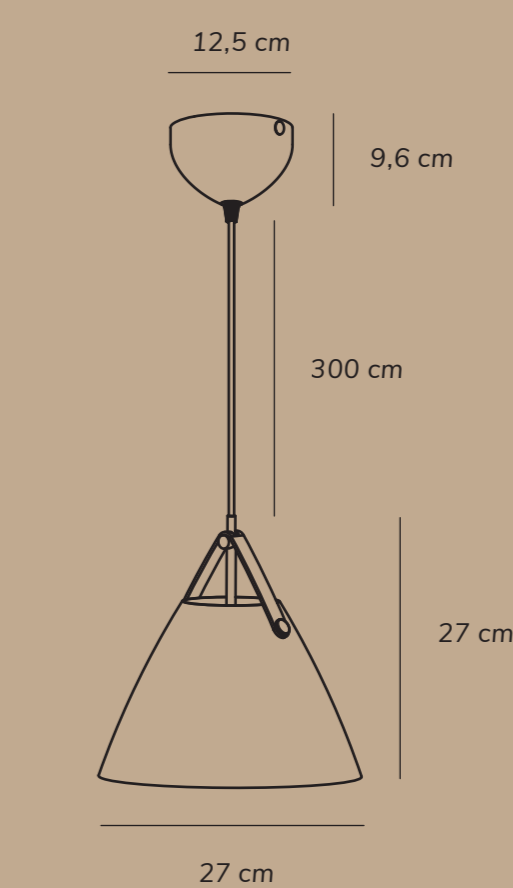
by Björn+Balle



STRAP 27

by Björn+Balle

Item number: 84313001
Color: White
Material: Glass/Meta/Leather
IP Class: IP20, indoor use, class II
Voltage: 220-240-50/60Hz
Cable: White textile, 300 cm non replaceable
Light source: Excl. E27, Max. 40W



www.dftglobal.com



5701581337688

NET WEIGHT (GROSS WEIGHT)	NET WEIGHT (GROSS WEIGHT)
KG	KG

225

310

310

310

310