



# STRAP 27

by Bjørn+Balle

The designers combine minimalistic Scandinavian design with international trends. It's about image creation and recognizability. The overall identity of the product is its form, function, details, structure and materials, which all comes together. A product never stands alone but is part of an environment where the story being told supports the design.

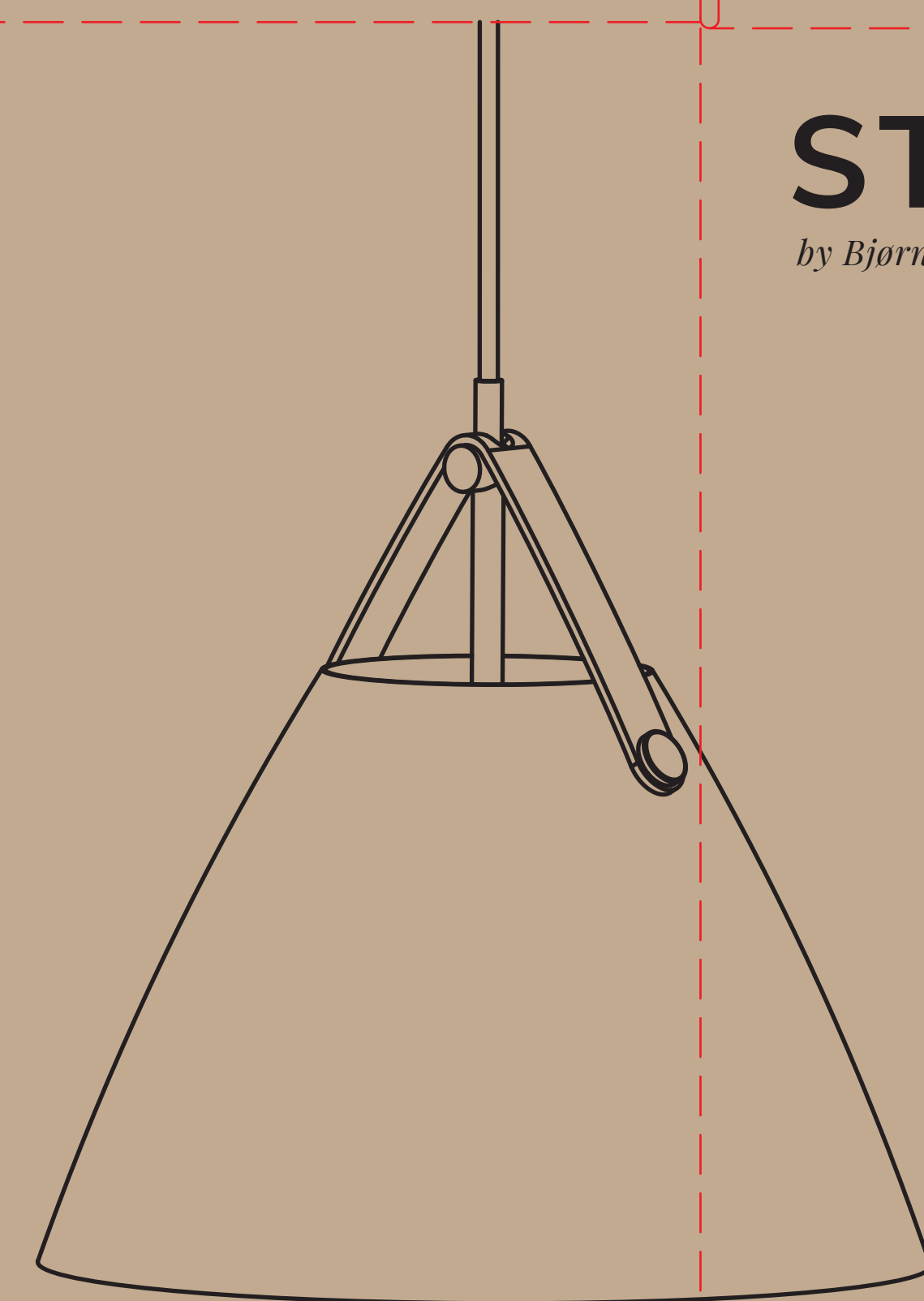
BJØRN + BALLE have both carried out a large number of design tasks for both national and international clients at many different areas, such as product design, furniture design, interior design, identity programs and exhibitions, and together they have great success with lighting design.

BJØRN + BALLE has delivered a wide range of innovative technical solutions for the industry, as well as beautifully designed products for the consumer market.

*Bjørn + Balle*  
Bjørn + Balle

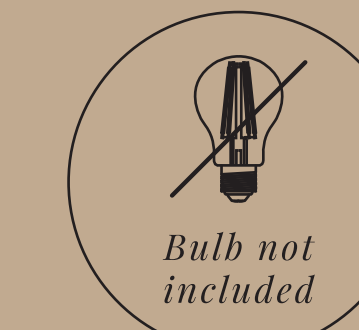
# STRAP 27

by Bjørn+Balle



# STRAP 27

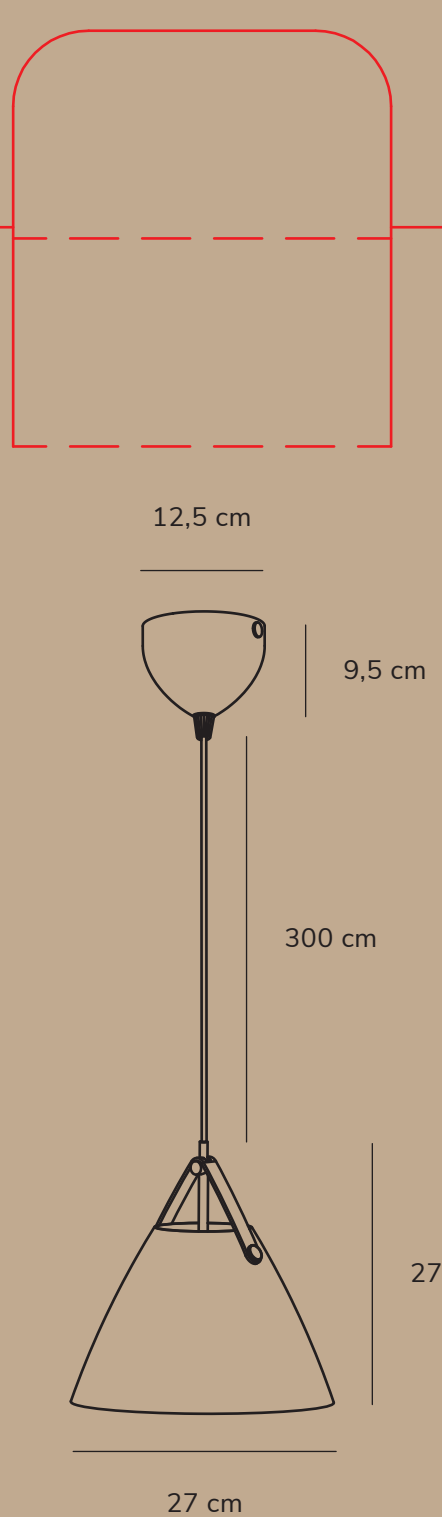
by Bjørn+Balle



# STRAP 27

by Bjørn+Balle

Item number	84333003
Color	Black
Material	Metal/Leather
IP Class	IP20, indoor use, class II
Voltage	220-240-50/60Hz
Cable	Black textile, 300 cm non replaceable
Light source	Excl. E27, Max. 40W



Number EE  
USA 83, Quincey Drive  
Atlanta, GA 30328  
Tel: 404.525.1177  
Fax: 404.525.1177  
A.N.O. 1701200-01

Height: 300 cm (Cable length)  
Cable length: 300 cm (non-replaceable)  
Shade height: 27 cm  
Shade width: 27 cm

300

300

300

300

235