



STRAP 27

by Bjørn+Balle

The designers combine minimalistic Scandinavian design with international trends. It's about image creation and recognizability. The overall identity of the product is its form, function, details, structure and materials, which all comes together. A product never stands alone but is part of an environment where the story being told supports the design.

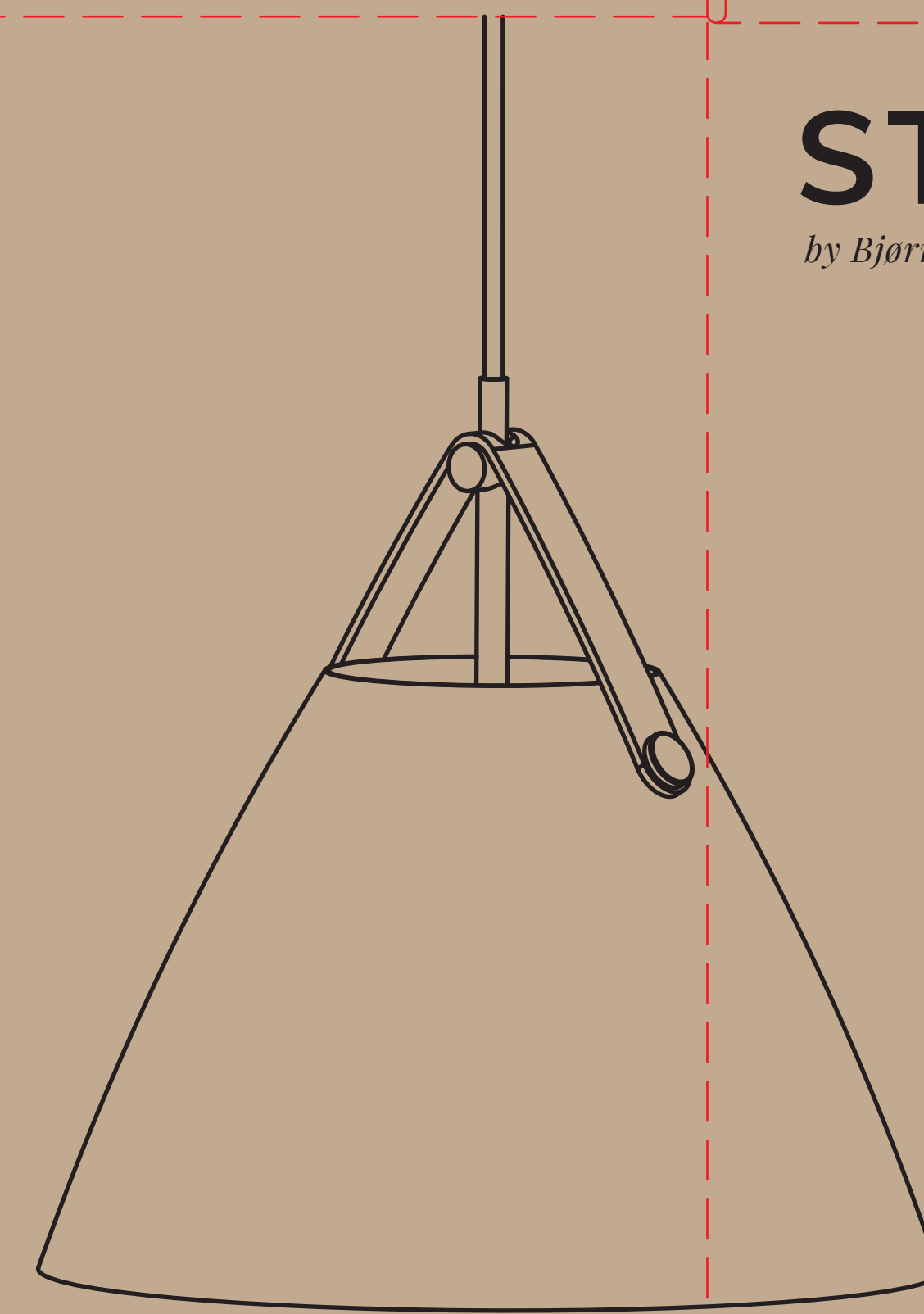
BJØRN + BALLE have both carried out a large number of design tasks for both national and international clients at many different areas, such as product design, furniture design, interior design, identity programs and exhibitions, and together they have great success with lighting design.

BJØRN + BALLE has delivered a wide range of innovative technical solutions for the industry, as well as beautifully designed products for the consumer market.

Bjørn + Balle
Bjørn + Balle

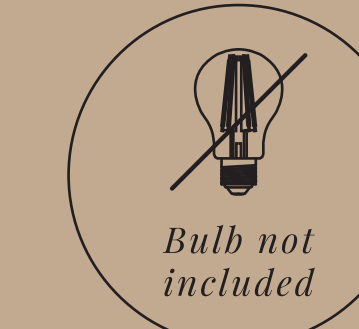
STRAP 27

by Bjørn+Balle



STRAP 27

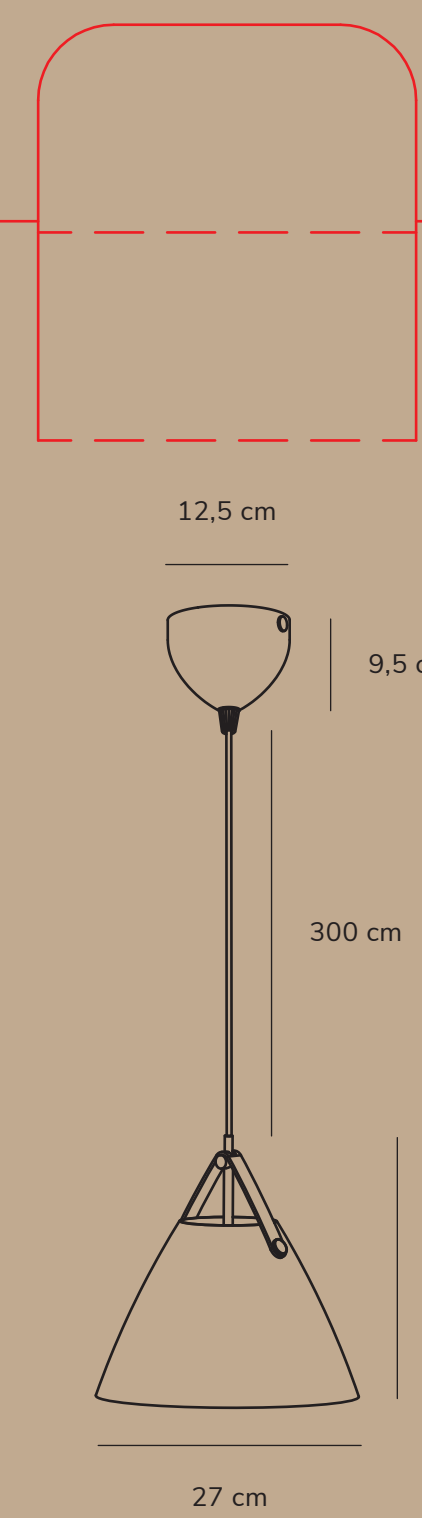
by Bjørn+Balle



STRAP 27

by Bjørn+Balle

Item number	84333009
Color	Beige
Material	Metal/Leather
IP Class	IP20, indoor use, class II
Voltage	220-240-50/60Hz
Cable	Black textile, 300 cm non replaceable
Light source	Excl. E27, Max. 40W



www.dfstp.com



Model: EE
USA 83, Quince Drive
Atlanta, GA 30328
Tel: 404.525.1177
Fax: 404.525.1177
A/N: 1701226-IT

Height: 300 cm (118.11 in)
Cable length: 300 cm (118.11 in)
Shade diameter: 12.5 cm (4.92 in)
Shade depth: 27 cm (10.63 in)

300

300

300

300

235